



Special filters

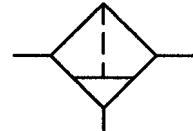
Sizes 1 to 4

673 to 696

G 1/4 to G 1

0.01 µm

Efficiency 99,999%



Characteristics

Type	673	674	675
Port	G 1/4 (red.)	G 3/8	G 3/8
Medium temperature	-10 to 60 °C	-10 to 60 °C	-10 to 60 °C
Ambient temperature	-10 to 60 °C	-10 to 60 °C	-10 to 60 °C
Size	1	1	2
Weight [g]	330	370	600
Type	685	695	696
Port	G 1/2	G 3/4 (red.)	G 1
Medium temperature with metal bowl	-10 to 60 °C	0 to 50 °C 0 to 90 °C	0 to 50 °C 0 to 90 °C
Ambient temperature with metal bowl	-10 to 60 °C	0 to 50 °C 0 to 90 °C	0 to 50 °C 0 to 90 °C
Size	3	4	4
Weight [g]	930	1920	1820
Type of construction	Micro-filter 0.01 µm		
	Special versions on request		
Input pressure p1	Max. 16 bar with plastic bowl Max. 25 bar with metal bowl		
Input pressure p1 with fully-automatic drain	Max. 16 bar Min. 1.5 bar		
Mounting position	Vertical, drain plug at bottom		
Mounting type	Bracket		
Filter rating	0.01 µm		
Bowl capacity	Max. level = bottom edge of micro-filter insert		
Condensate drain	Manual (673, 674, 675, 685) Semi-automatic (695, 696) Fully-automatic on request		

Important

→ **When the pressure system is started up again (e.g. after the element has been replaced), the pressure should be built up gradually to prevent irreparable damage to the filter element**

Ordering information

Type + Port Options

685 *

Order example: 685 K-HA

Port	
673	G 1/4 (red.)
674	G 3/8
675	G 3/8
685	G 1/2
695	G 3/4 (red.)
696	G 1
Options	
K-HA	Plastic bowl (673, 674, 675, 685)
K	Plastic bowl (695, 696)
M	Metal bowl
S	Bowl guard

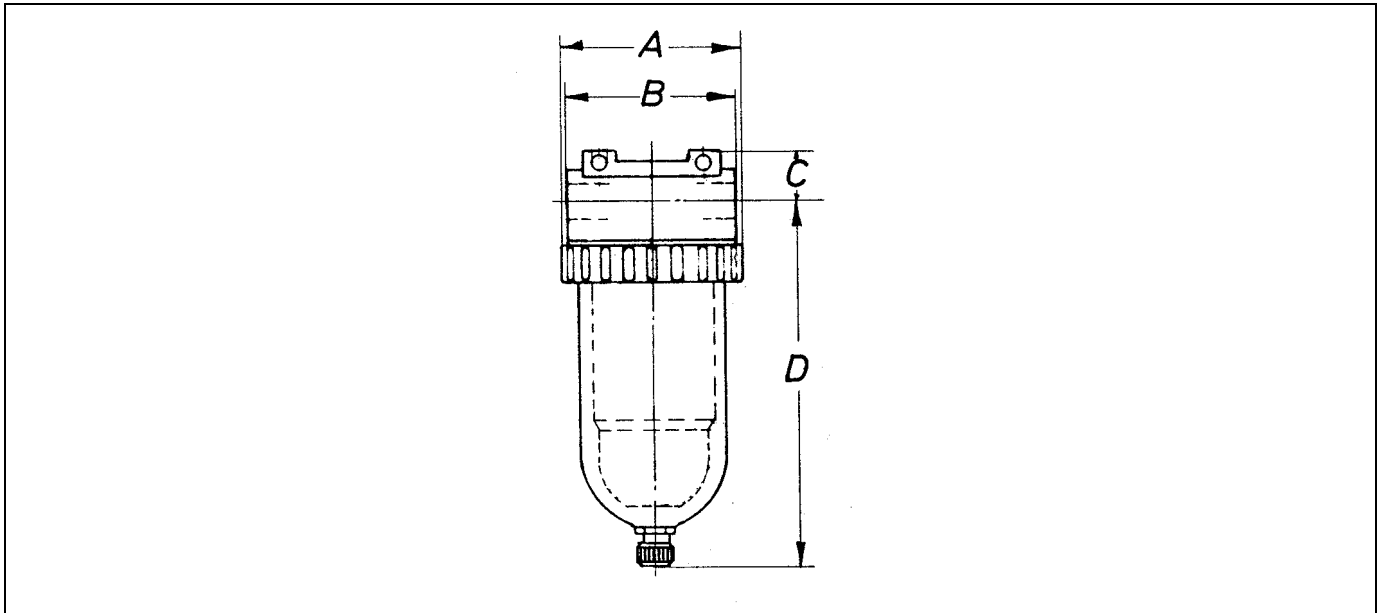
Please use the suffix »A« to order fully-automatic drain

Description

- Standard design
- Flow direction indicated by arrows
- Entry in direction of arrow
- Filter rating 0.01 µm
- Air flow through the filter element from the inside to the outside
- A standard filter should always be connected upstream

Applications

- All applications with particularly strict compressed air purity requirements.


Dimensions [mm]

Port	Dimensions				
	A	B	C	D (Polycarbonate Bowl)	D (Metal bowl)
G 1/4	48.0	38.0	14.0	131.6	133.5
G 3/8	48.0	38.0	14.0	131.6	133.5
G 3/8	70.0	50.0	16.0	145.7	159.0
G 1/2	79.0	50.0	18.0	168.4	171.0
G 3/4 (red.)	133.0	134.0	36.0	206.0	206.0
G 1	133.0	120.0	36.0	206.0	206.0

Materials

Part	Material
Head piece (body)	Z 410
Filter element	Borosilicate - Al
Condensate bowl	Polycarbonate
O-rings	NBR

Flow rates

Output pressure p2		Port	Size	6
Nominal flow ($\Delta p = 1$ bar)	QN m ³ /h	G 1/4	1	380
		G 3/8	1	380
		G 3/8	2	720
		G 1/2	3	1250
		G 3/4	4	7000
		G 1	4	7000

Accessories

Designation	Order No.
Mounting bracket 673 + 674	H 800
Filter element	360/1
Plastic bowl	640/2-HA
Metal bowl	640/12
Bowl guard, incl. threaded ring	SK 01
Mounting bracket 675	H 801
Filter element	360/2
Plastic bowl	650/1-HA
Metal bowl	650/11
Bowl guard, incl. threaded ring	SK 02
Mounting bracket 685	H 801
Filter element	360/3
Plastic bowl	650/2-HA
Metal bowl	650/12
Bowl guard, incl. threaded ring	SK 03
Mounting bracket 695 + 696	H 803
Filter element	360/4
Plastic bowl	696/3-HA
Metal bowl, incl. threaded ring	650/13
Bowl guard, incl. threaded ring	SK 04
Fully automatic drain valve (all sizes)	65/0-N