



## Filter

### Size 1

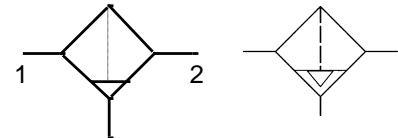
**FU 831**  
**FU 841**

**FU 832**  
**FU 842**

**G 1/4**

**G 3/8**

**5 µm**



## Description

Filter for cleaning compressed air as a centrifugal filter in the "*Futura*" series.

## Characteristics

Type	FU 831	FU 841	FU 832	FU 842
Port (thread)	G 1/4		G 3/8	
Type of construction	Centrifugal filter			
Medium	Compressed air, neutral gases			
Mounting position	Vertical			
Temperature Medium / ambient	Max. 50°C			
Input pressure Pin - With semi-automatic drain - With automatic drain - With manual drain			Min. 1.5 bar Min. 1.5 bar Max. 16 bar	
Filter rating	Pore size 5 µm			
Bowl capacity	28 cm <sup>3</sup>			
Condensate drain	Semi-automatic ( <b>standard</b> ) – pressureless exhaust / fully automatic			
Weight	0.185 kg			
Mounting type	Bracket, wall mounting			

## Materials

Part	Material:
Head piece	PA66 GF60
Bowl	Polycarbonate
Bowl guard	Polyamide
Metal bowl	Die-cast zinc
O-rings	NBR
Filter element	Cellpor
Threaded plate	Die-cast zinc

## Ordering information

- The filters are delivered in single packs
- Ordering code for metal bowl with "-M"  
Example: FU 831-M

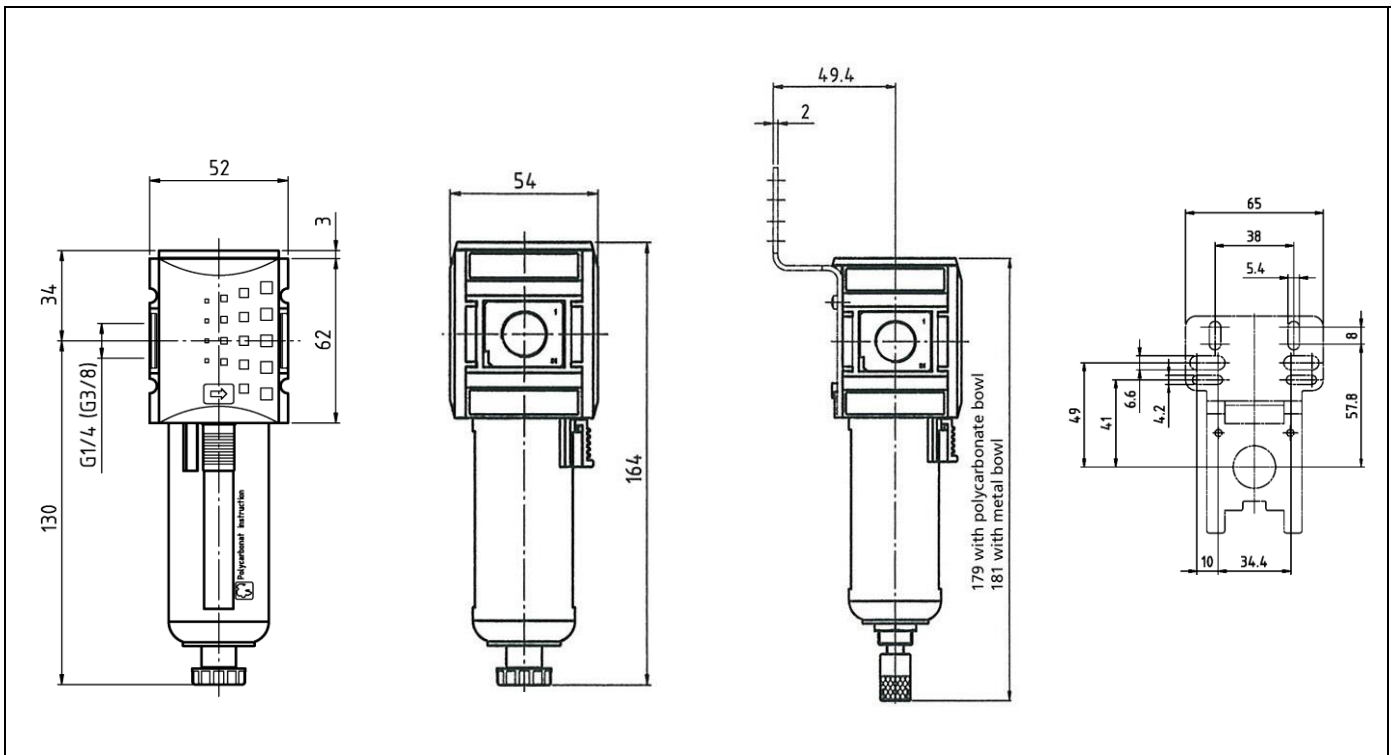
### Accessories

Designation	Art. No.
Mounting bracket, incl. screws	H 850
Joiner set with wall bracket	WK 100
Joiner set	KP 100
Polycarbonate bowl with bowl guard / filter	BSF 14
Polycarb. bowl with fully autom. drain valve	BSF 14-A
Metal bowl / filter	MF 14
Metal bowl with fully automatic drain valve	MF 14-A
Wall bracket with connection thread G 1/4	WK 101-14
Wall bracket with connection thread G 3/8	WK 101-38

### Spare parts

Designation	Art. No.
Filter element 5 µm	611.6.905
Automatic drain valve	655.6.900

### Dimensions



### Flow rates

#### Flow characteristic

