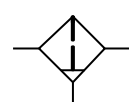
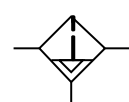



Filter
Size 2

| FU 833 | FU 843 |
|---|---|
| G 3/8 | |
| FU 834 | FU 844 |
| G 1/2 | |
| 5 µm | |
|  |  |

Description

- **Filter** for cleaning compressed air as a centrifugal filter in the "**Futura**" series.
- "KP200" or "WK 102" joiner set for seamless integration with other devices.

Characteristics

| Type | FU 833 | FU 843 | FU 834 | FU 844 |
|--|---|------------------------|-----------------------|------------------------|
| Drain | Semi-automatic (semi) | Fully automatic (auto) | Semi-automatic (semi) | Fully automatic (auto) |
| Port (thread) | G 3/8 | | G 1/2 | |
| Type of construction | - Centrifugal filter - Sintered metal filter 5 µm | | | |
| Medium | Compressed air, neutral gases | | | |
| Mounting position | Vertical, bowl at bottom | | | |
| Temperature Medium / ambient | Max. 50°C | | | |
| Input pressure Pin - With automatic / semi-automatic drain - With manual drain | Min. 1.5 bar / max. 16 bar Max. 16 bar | | | |
| Filter rating | Pore size 5 µm | | | |
| Bowl capacity | 49 cm ³ | | | |
| Condensate drain | Semi-automatic – pressureless exhaust (semi) / fully automatic (auto) | | | |
| Weight | 0.350 kg (semi) / 0.385 kg (auto) | | | |
| Mounting type | Bracket, wall mounting | | | |

Materials

| Part | Material |
|-----------------|------------------------|
| Head piece | IXEF1022® |
| Bowl | Polycarbonate |
| Bowl guard | Polyamide |
| Metal bowl | Die-cast zinc |
| O-rings | NBR |
| Filter element | Cellpor (polyethylene) |
| Threaded plates | Die-cast zinc Z 410 |

Ordering information

- The filters are delivered in single packs

| Options |
|------------|
| NPTF ports |
| |
| |

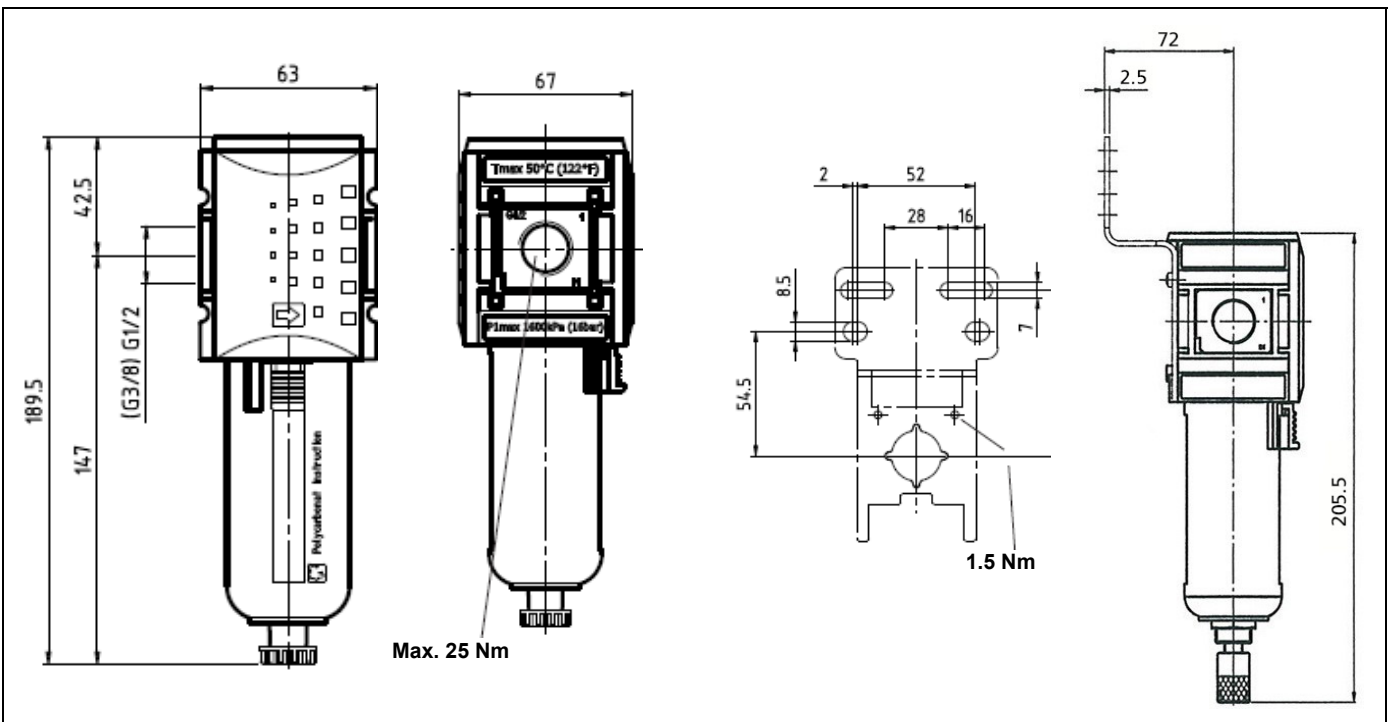
Accessories

| Designation | Art. No. |
|--|-----------|
| Mounting bracket, incl. screws | H 852 |
| Joiner set with wall bracket | WK 102 |
| Joiner set | KP 200 |
| Polycarbonate bowl with bowl guard / filter | BSF 12 |
| Polycarb. bowl with fully autom. drain valve | BSF 12-A |
| Metal bowl / filter | MF 12 |
| Metal bowl with fully automatic drain valve | MF 12-A |
| Wall bracket with connection thread G 3/8 | WK 102-38 |
| Wall bracket with connection thread G 1/2 | WK 102-12 |
| Wall bracket with connection thread G 3/4 | WK 102-34 |

Spare parts

| Designation | Art. No. |
|-----------------------|-----------|
| Filter element 5 µm | 844.6.905 |
| O-ring 37.5 x 23.5 | 3725.4.9 |
| Automatic drain valve | 655.6.900 |
| | |
| | |
| | |
| | |
| | |
| | |
| | |

Dimensions



Flow rates

Flow characteristic

