



### Activated carbon filter

Size 4

**FU 6190**

G 3/4

**FU 6191**

G 1

Residual oil content 0.005 mg/m<sup>3</sup>



### Description

- **Activated carbon filter** for absorbing oil vapour from compressed air and gases.  
**A pre-filter (Data Sheet 1-37-1) and micro-filter (Data Sheet 1-37-2) must be installed upstream.**
- "KP300" or "WK 103" joiner set for seamless integration with other devices.

### Characteristics

Type	FU 6190	FU 6191
Drain	-	-
Port (thread)	G 3/4	G 1
Type of construction	Activated carbon filter	
Medium	Compressed air, neutral gases	
Mounting position	Vertical, bowl at bottom	
Temperature Medium / ambient	Max. 50°C	
Input pressure Pin - With manual drain	Max. 16 bar	
Adsorption / efficiency	0.005 mg/m <sup>3</sup> air (Class 0, formerly ISO 8573-1)	
Bowl capacity	87 cm <sup>3</sup>	
Weight	0.770 kg	
Mounting type	Bracket, wall mounting	

### Materials

Part	Material
Head piece	IXEF1022®
Bowl	Polycarbonate
Bowl guard	Polyamide
Metal bowl	Die-cast zinc
O-ring 55 x 2.5	NBR
O-ring 28.28 x 2.62	NBR
Filter element	Activated carbon / Al
Threaded plates	Die-cast zinc Z 410

### Ordering information

- The filters are delivered in single packs

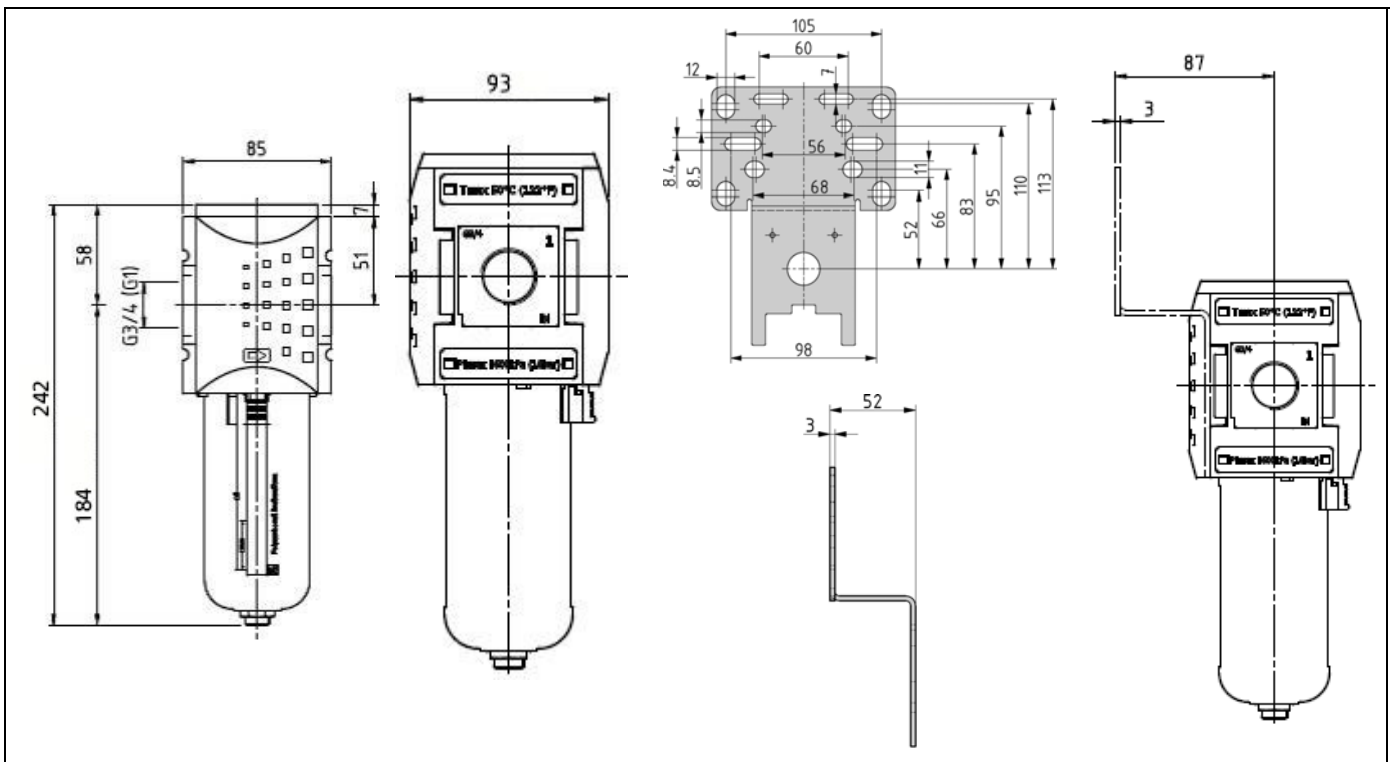
**Accessories**

Designation	Art. No.
Mounting bracket, incl. screws	H 854
Joiner set with wall bracket	WK 103
Joiner set	KP 300
Polycarbonate bowl with bowl guard / filter	BSA 34
Metal bowl / filter	MA 34

**Spare parts**

Designation	Art. No.
Filter element for act. carbon filter	A 896

**Dimensions**



**Flow rates**

**Flow characteristic**

