

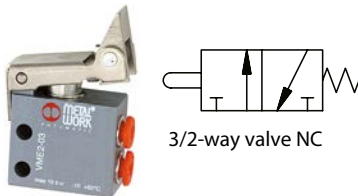
3/2-way miniature valve

mechanically operated

PLUS

Art. No. 106392

Type No. 511.172



Exemplary illustration

Miniature valves, 3/2-way type, NC or NO.

Technical data

Operating pressure	0.5 - 10 bar
Valve body	Aluminium
Medium	Filtered compressed air with or without lubrication. If lubricated, then continuous.
Sealant	NBR
Spring	Stainless steel
Flow rate measurement 1	Flow rate at 6 bar and Δp 0.5 bar
Flow rate 1	35 NI/min
Flow rate measurement 2	Flow rate at 6 bar and Δp 1.0 bar
Flow rate 2	60 NI/min
Connection	M5 female thread on side
Function	3/2 NC
Operation	monostable
Series	Valves series VME

Commercial data

Customs tariff number	84818079
Country of origin	IT
eCl@ss 5.1.4	27291701
eCl@ss 9.0	27291390
UNSPSC_Code_v190501	40141603
UNSPSC_CodeDesc_v190501	Pneumatic valves

B1

MINIVALVES, MECHANICALLY AND HAND OPERATED SERIES VME

VALVES

MINIVALVES, MECHANICALLY AND HAND OPERATED SERIES VME

- Minivalves with 3/2 NO NC poppet,
- Installation in any position
- Push-in fittings for pipe Ø 4 mm and M5 on the valve body
- Low actuation force
- Rapid, accurate signal
- Mechanical actuation
- The 2 places adapter allows manual actuation of 1 or 2 VME valves with manual Ø 22 panel actuators. Thus it is possible to obtain 3/2, 5/2, 5/3 open centre and 5/3 pressure centre pneumatic functions.
- On request, it is possible to place a NC-NO electric switch next to VME valve for mixed solenoid/pneumatic signals.

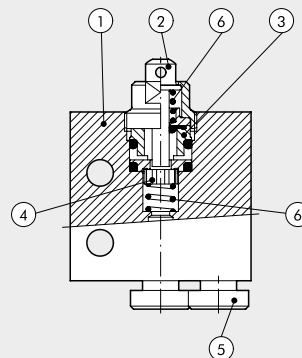


TECHNICAL DATA

Valve fitting port		Push-in fitting for pipe diam. 4 and M5 (axial or side)
Fluid		Filtered air without lubrication; lubrication, if used, must be continuous
Type		With poppet
Versions		Mechanical and manual
Operators:		With Plunger – Plunger for wall-mounting – Roller lever – Unidirectional roller lever
• mechanical		Depending on the type of actuation panel selected
• manual		0.5 to 10
Operating pressure	bar	-10° to +60
Operating temperature range	°C	2.5
Nominal diameter	mm	16.5
Conductance C	Nl/min · bar	0.03
Critical ratio b	bar/bar	35
Flow rate at 6 Bar ΔP 0.5 Bar	Nl/min	60
Flow rate at 6 Bar ΔP 1 Bar	Nl/min	8
Actuation force – Plunger at 6 Bar	N	ISO and UNI FD22
Recommended lubricant		In any position
Installation		See chapter Z1
Compatibility with oils		

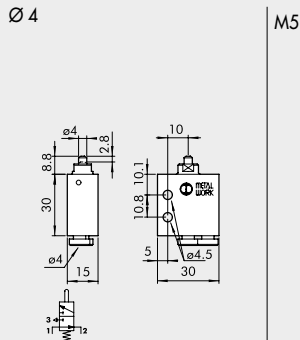
COMPONENTS

- ① VALVE BODY: Aluminium
- ② BUTTON: chemically nickel-plated brass
- ③ DISTANCE PLATES: Brass
- ④ GASKETS: NBR
- ⑤ PUSH-IN FITTING CARTRIDGES: stainless steel, brass and plastic
- ⑥ SPRINGS: stainless steel



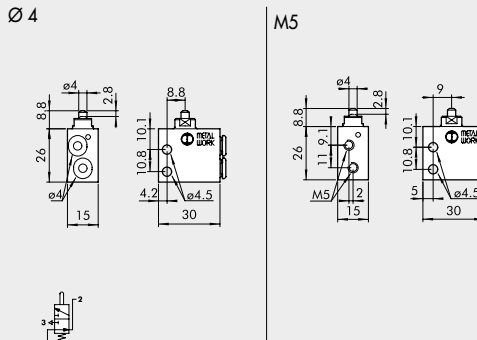
B1.4

PLUNGER 3/2 NO - AXIAL FITTINGS



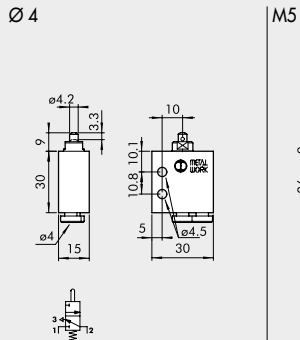
Code	Description	Weight [g]
W3501000101	VME1-10 NO Ø 4	42
W3501000110	VME1-16 NO M5	36

PLUNGER 3/2 NO - SIDE FITTINGS



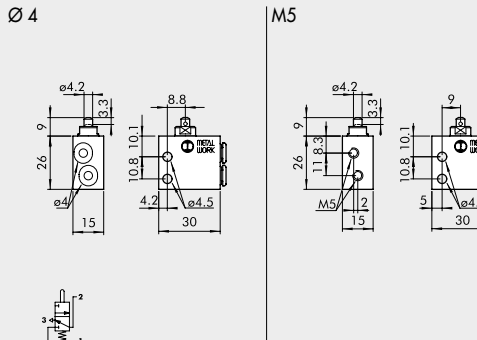
Code	Description	Weight [g]
W3501001100	VME2-00 NO Ø 4	34
W3501001110	VME2-10 NO M5	34

PLUNGER 3/2 NC - AXIAL FITTINGS



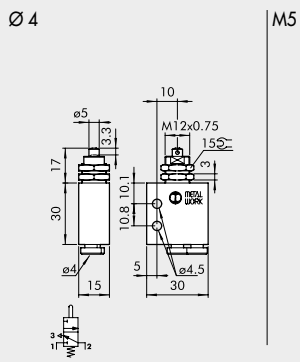
Code	Description	Weight [g]
W3501000100	VME1-01 NC Ø 4	42
W3501000111	VME1-11 NC M5	36

PLUNGER 3/2 NC - SIDE FITTINGS



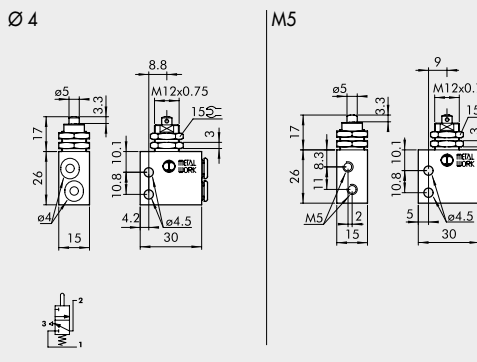
Code	Description	Weight [g]
W3501001101	VME2-01 NC Ø 4	34
W3501001111	VME2-11 NC M5	34

PLUNGER FOR WALL MOUNTING, 3/2 NC - AXIAL FITTINGS



Code	Description	Weight [g]
W3501000400	VME1-04 NC Ø 4	54
W3501000411	VME1-14 NC M5	48

PLUNGER FOR WALL MOUNTING, 3/2 NC - SIDE FITTINGS

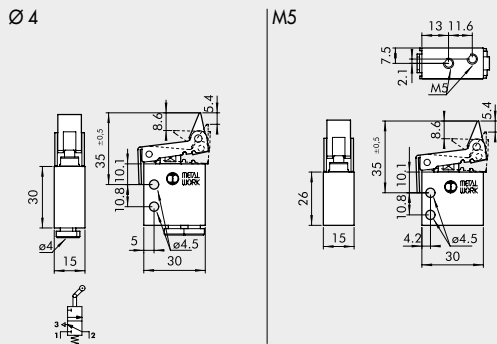


Code	Description	Weight [g]
W3501001401	VME2-04 NC Ø 4	46
W3501001411	VME2-14 NC M5	46

VALVES

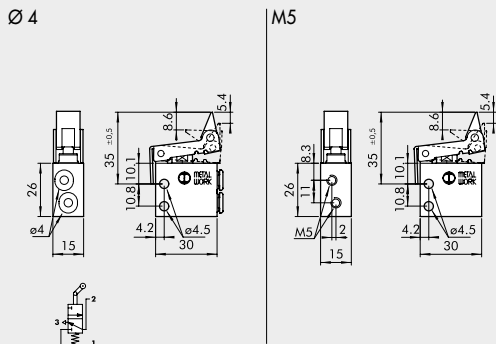
MINIVALVES, MECHANICALLY AND HAND OPERATED SERIES VME

UNIDIRECTIONAL ROLLER LEVER, 3/2 NC - AXIAL FITTINGS



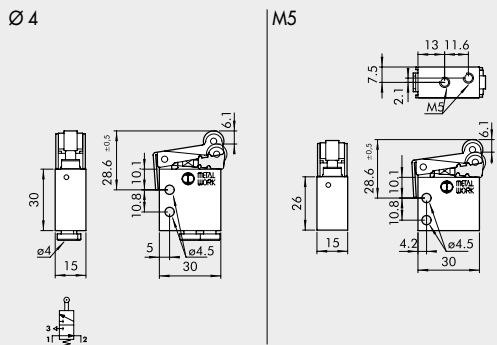
Code	Description	Weight [g]
W3501000300	VME1-03 NC Ø 4	60
W3501000311	VME1-13 NC M5	54

UNIDIRECTIONAL ROLLER LEVER, 3/2 NC - SIDE FITTINGS



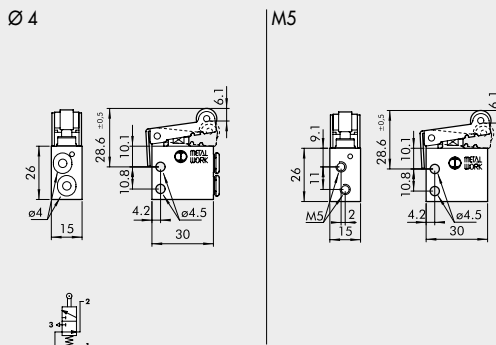
Code	Description	Weight [g]
W3501001301	VME2-03 NC Ø 4	52
W3501001311	VME2-13 NC M5	52

ROLLER LEVER, 3/2 NO - AXIAL FITTINGS



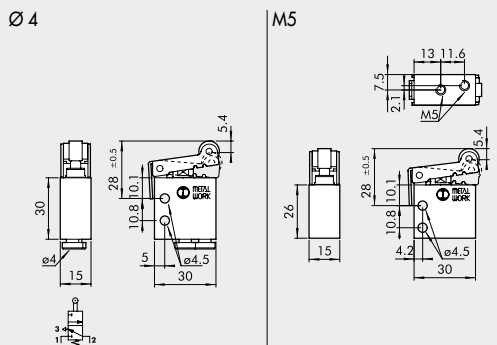
Code	Description	Weight [g]
W3501000201	VME1-05 NO Ø 4	58
W3501000210	VME1-15 NO M5	52

ROLLER LEVER, 3/2 NO - SIDE FITTINGS



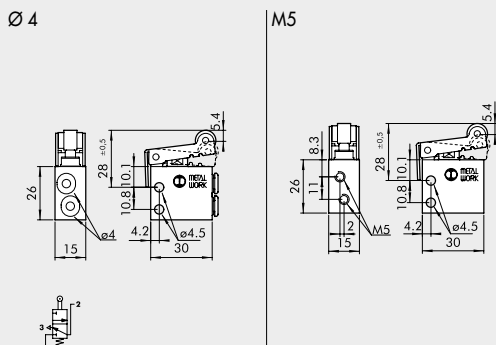
Code	Description	Weight [g]
W3501001200	VME2-05 NO Ø 4	50
W3501001210	VME2-15 NO M5	50

ROLLER LEVER, 3/2 NC - AXIAL FITTINGS



Code	Description	Weight [g]
W3501000200	VME1-02 NC Ø 4	56
W3501000211	VME1-12 NC M5	50

ROLLER LEVER, 3/2 NC - SIDE FITTINGS



Code	Description	Weight [g]
W3501001201	VME2-02 NC Ø 4	52
W3501001211	VME2-12 NC M5	50

