



2/2-way ball valve Pneumatic actuator

Closed by spring pressure

351.309 351.315

Rp 3/8 ... Rp 2

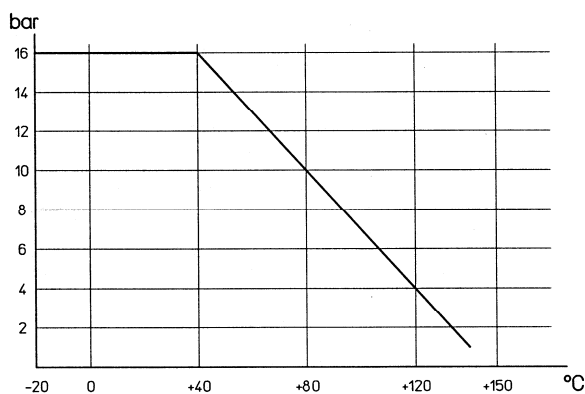
Description

- Ball valve with full passage
- Compact type of construction
- Extensive range of optional extras available (see accessories)
- Directly mountable control valve
- Maintenance-free stem seal
- Minimal valve torques and compact design mean excellent value for money
- Long service life

Characteristics

Type of actuation	Air-actuated at one end, closed by spring pressure
Connection	Rp 3/8 to Rp 2 socket
Type of construction	Ball valve with floating precision ball in Teflon half shells
Nominal width	10 - 50 mm
Mounting position	Any
Rated pressure of ball valve DN 10 to DN 50	PN 16 bar, see pressure-temperature graph
Control pressure (actuator)	5.6 or 8.4 bar
Control medium	Filtered, dry compressed air
Operating temperature	-20 °C to +150 °C Wider temperature range on request
Flow direction	Any
Flow media	Non-aggressive gases and liquids
Valve adapter	Pre-assembled
Pneumatic control	Directly mounted or separate 3/2-way valves, electrically actuated (see "Accessories") On request: Pneumatically or manually actuated

Pressure-temperature graph



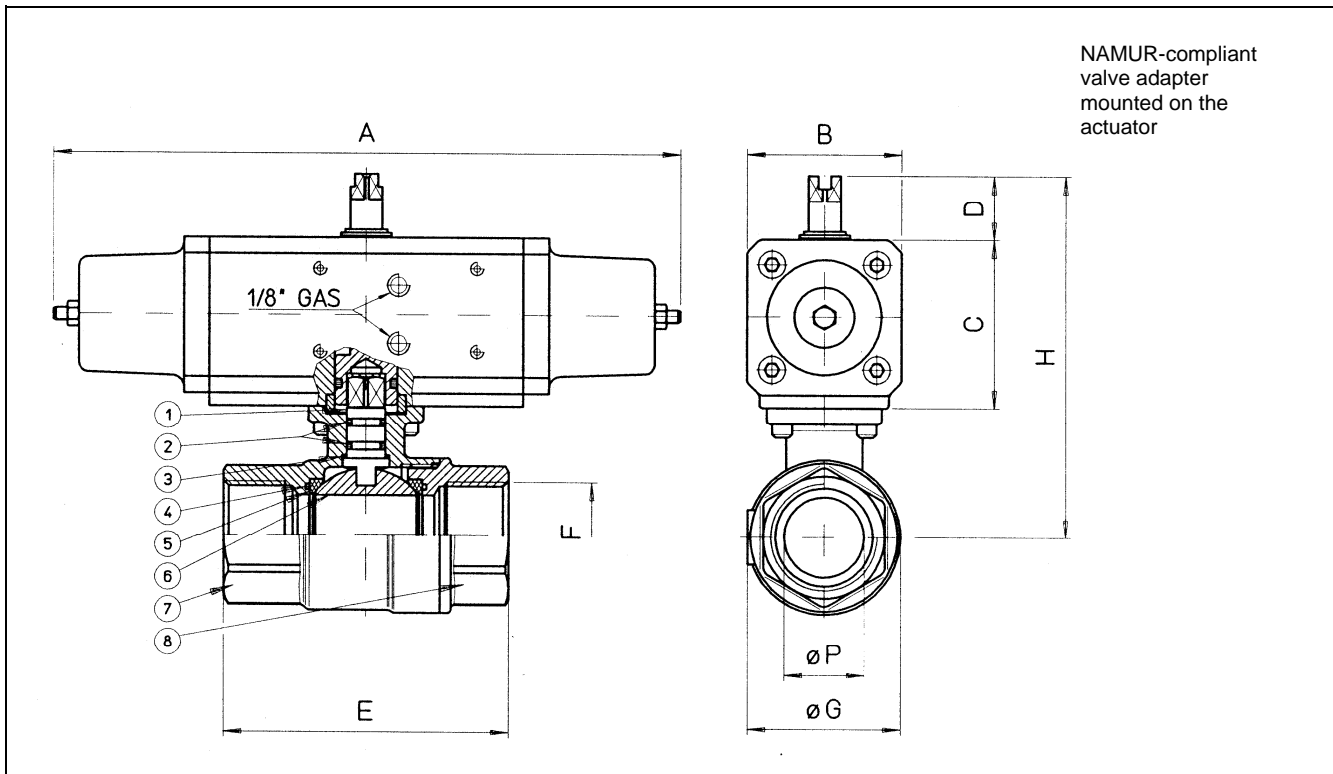
Ordering data

Order No.	Ident No.	Thread »Rp«	DN
351.309	103571	3/8	10
351.310	103572	1/2	15
351.311	103573	3/4	20
351.312	103574	1	25
351.313	103575	1 1/4	32
351.314	103576	1 1/2	40
351.315	103577	2	50

Accessories

Designation	Order No.
3/2-way control valve (NAMUR) -230/50 -24V =	551.01 551.02
3/2-way control valve (G 1/8) -230/50 (continuous current) -24= (continuous current)	517.114 517.111
On request	
Proximity switch	
Limit switch	
-Mechanical	
-Pneumatic	
-With optical position indicator	
-With EExd IIC T6 type of protection	
Positioner	
-Pneumatic	
-Electro-pneumatic	
Optical position indicator	

Dimensions [mm]



NAMUR-compliant
valve adapter
mounted on the
actuator

Order No.		351.309	351.310	351.311	351.312	351.313	351.314	351.315
Nominal width	[mm]	10	15	20	25	32	40	50
Threaded conn.	(Rp)	3/8	1/2	3/4	1	1 1/4	1 1/2	2
Passage ØP	[mm]	11	15	20	25	32	40	50
A	[mm]	221	221	221	221	221	221	240
B	[mm]	55.4	55.4	55.4	55.4	55.4	55.4	65.4
C	[mm]	60.4	60.4	60.4	60.4	60.4	60.4	70.4
D	[mm]	20	20	20	20	20	20	20
E	[mm]	69	69	77	89	103	114	134
ØG	[mm]	31.8	31.8	40	48	60.5	71	87
Cv	m ³ /h	11	20	60	100	130	170	280
H	[mm]	110	110	117	121	131	137	155
Weight	[g]	1500	1600	1700	2000	2500	3300	5200
Components		SR 15	SR 15	SR 15	SR 15	SR 15	SR 15	SR 30
Actuator		1590.02	1590.02	1590.02	1590.02	1590.02	1590.02	3090.02
Ball valve		332.199	332.200	332.201	332.202	332.203	332.204	332.205
Assembly kit		MS.1590	MS.1590	-	-	-	-	MS.3090
Main spare parts								
Repair kit (actuator)		22.1590.00	22.1590.00	22.1590.00	22.1590.00	22.1590.00	22.1590.00	22.3090.00
Valve adapter		350.891 (KBN 17030)	350.891 (KBN 17030)	350.891 (KBN 17030)	350.891 (KBN 17030)	350.891 (KBN 17030)	350.891 (KBN 17030)	350.891 (KBN 17030)

Materials

No.	Part	Material
1	Shaft	Brass
2	O-ring	Viton
3	Top seal	PTFE
4	Side seal	Viton
5	O-ring	PTFE
6	Ball	Chrome-plated brass
7	Body	Nickel-plated brass
8	Socket	Nickel-plated brass

Control pressure

Actuator	min. [bar]	max. [bar]
1590.02 3090.02	5.6	8.4