

Removable double threaded nipple

Stainless steel 1.4408

STAINLESS STEEL

Art. No. 118790

Type No. LDGNG12ES4408KDII



Exemplary illustration

Technical data

| | |
|-----------------------|------------------------|
| Max. working pressure | 20 bar |
| Thread | G 1/2 |
| L1 | 37.4 mm |
| a/f 1 | 38 mm |
| a/f 2 | 25 mm |
| Thread form | parallel female thread |
| Standard thread | DIN EN ISO 228-1 |
| Version | taper seat |

From thread size of 1 inch, we recommend using an adjustable open-end wrench.

To ensure a proper sealing of the cylindrical threads (G) and tapered threads (R/Rp) we recommend using a suitable sealant (e.g. hemp, sealing tape or suitable industrial adhesive).

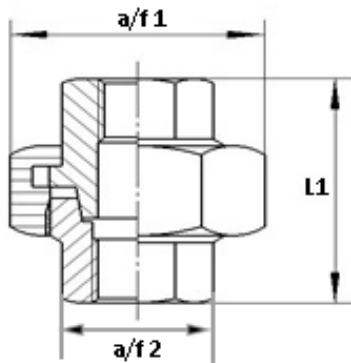
Commercial data

| | |
|-------------------------|-----------------------------|
| Customs tariff number | 73072910 |
| Country of origin | CN |
| eCl@ss 5.1.4 | 22360606 |
| eCl@ss 9.0 | 22560206 |
| UNSPSC_Code_v190501 | 40173303 |
| UNSPSC_CodeDesc_v190501 | Stainless steel pipe nipple |

Material informations

| | |
|----------------------------|----------------------------|
| REACH SVHC1 substance name | no |
| CAS no. SVHC 1 | no CAS No. |
| RoHS materials notice | RoHS compliant |
| REACH Info | no SVHC substance included |

Dimensions



| Thread | L1 mm | a/f 1 mm | a/f 2 mm |
|--------|----------|-------------|-------------|
| G 1/2 | 37.4 | 38 | 25 |

From thread size of 1 inch, we recommend using an adjustable open-end wrench.

To ensure a proper sealing of the cylindrical threads (G) and tapered threads (R/Rp) we recommend using a suitable sealant (e.g. hemp, sealing tape or suitable industrial adhesive).