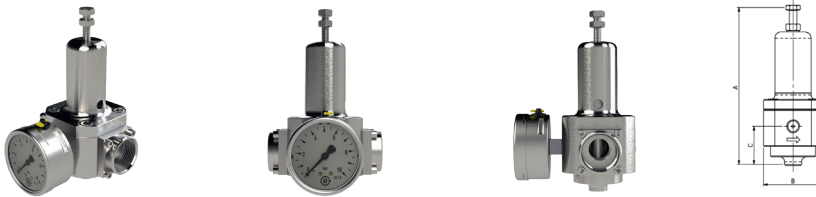


# Stainless steel pressure regulator

made of stainless steel 1.4404

Art. No. 136430

Type No. DRES.G1NR.05-8B.T



Exemplary illustration

Stainless steel regulators without secondary venting (non-reversible) for use in the chemical industry, mining, plant construction and special machinery industries, pneumatics, etc.  
Pressure setting by hexagon head screw.

## Technical data

Max. input pressure	60 bar
Min. medium temperature	-40 °C
Max. medium temperature	80 °C
Min. ambient temperature	-40 °C
Max. ambient temperature	80 °C
Control range	0,5 - 8 bar
Housing	Stainless steel 1.4404 (AISI 316L)
Sealant	PU/HNBR
Diaphragms	HNBR
Flow rate	5883 l/min
Flow rate measurement	At $P_1 = 10$ bar, $P_2 = 6,3$ bar and pressure drop $\Delta_p \leq 1$ bar
Thread	G 1
A	204.0 mm
B	124.0 mm
C	59.0 mm
D	1
E	88.0 mm
F	59.0 mm
G	57.0 mm
H	33.0 mm
I	32.0 mm

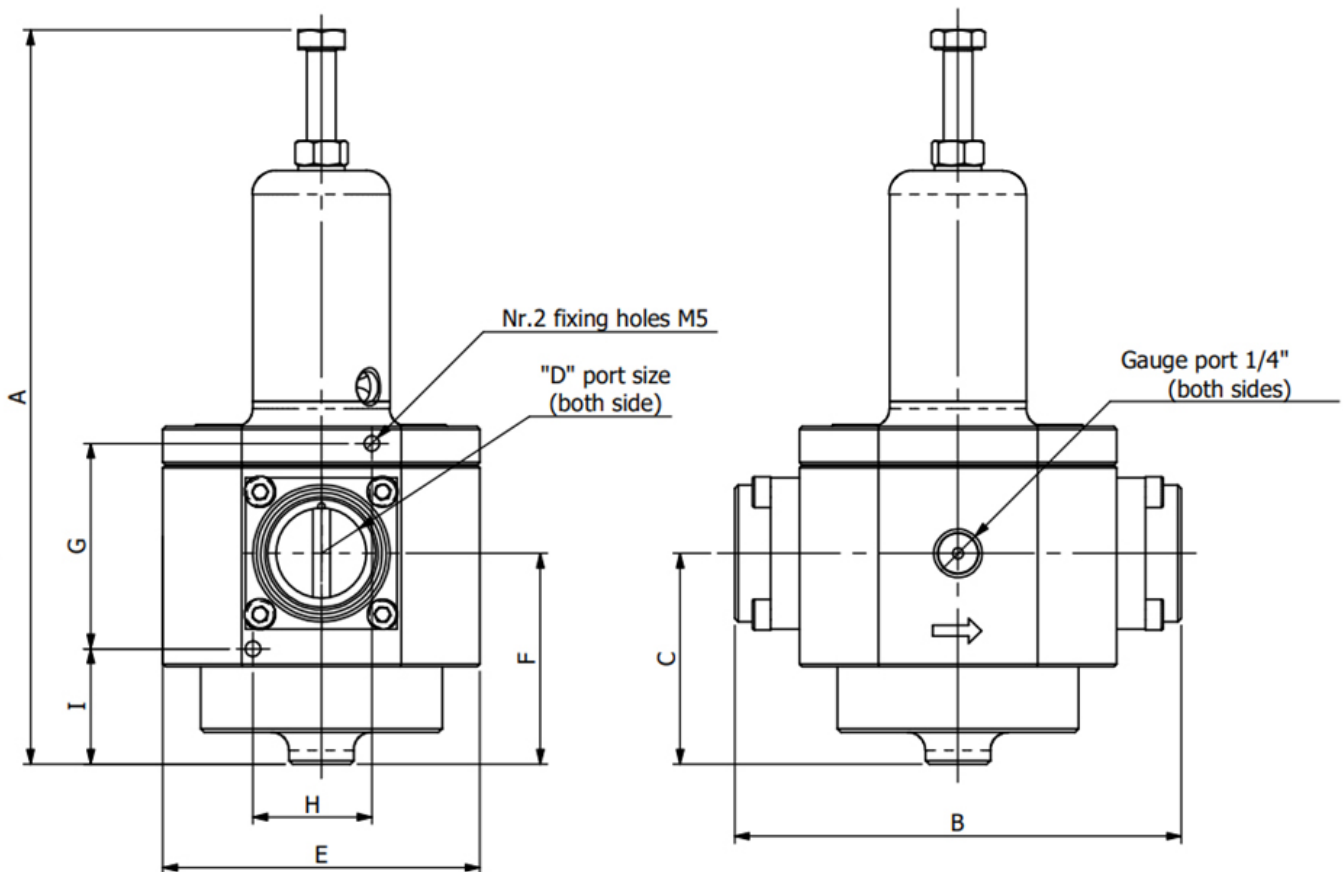
Possible certificate types according to DIN EN 10204 (available at an extra charge): 3.1 Material acceptance test certificate with details of the batch used

MOCA (1935/2004/EU) certified devices available on request

## Commercial data

Customs tariff number	84811019
Country of origin	IT
eCl@ss 5.1.4	37011108
eCl@ss 9.0	37011108
UNSPSC_Code_v190501	41112404
UNSPSC_CodeDesc_v190501	Pressure regulator

## Dimensions



## Accessories

	Art. No.	Type No.
Mounting bracket, for pressure and filter regulator, G 1	135544	HWDRFRES.G1.T

## Spareparts

	<b>Art. No.</b>	<b>Type No.</b>
Wear part set, for pressure and filter regulator, G 1	135042	VTSDRFRES.G1NR.T
Pressure gauge Ø 63 mm, G 1/4 ET, 0 - 10 bar	101201	4084