

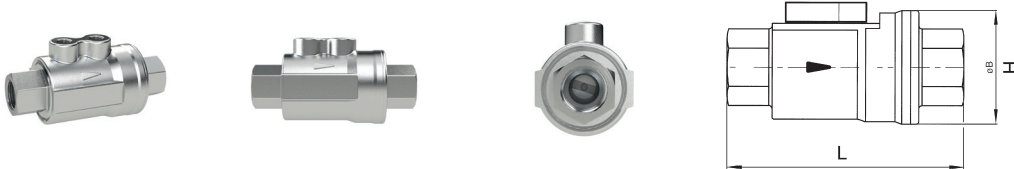
Coaxial valve

pneumatically operated

EASY

Art. No. 146456

Type No. 351.957-1



Exemplary illustration

2/2-way coaxial valves, specially designed for automated industrial plant engineering.

A low-price, compact, space-saving and reliable alternative to ball valves with a pneumatic rotary actuator.

These valves have a full bore and - owing to the optimised design - only minimal flow losses.

They are controlled by means of filtered compressed air.

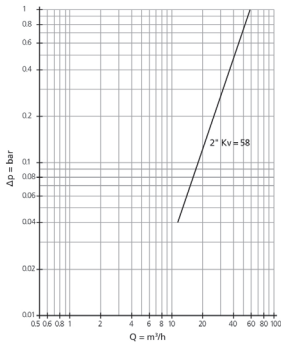
Technical data

| | |
|----------------------------|--|
| Housing | Nickel-plated brass |
| Max. operating pressure | 10 bar |
| Min. pilot pressure | 4,2 bar |
| Max. pilot pressure | 8 bar |
| Min. operating temperature | -20 °C |
| Max. operating temperature | 150 °C |
| Control medium | filtered, dry compressed air |
| Flow medium | non-aggressive gases and liquids |
| Flow rate kv value | 58 m ³ /h |
| Flow direction | any |
| Connection | 2 x G 1/8 (NAMUR interface only with adapter) |
| Thread | Rp 2 |
| Internal parts | Nickel-plated brass |
| Spring | Stainless steel |
| Mounting position | any |
| Version | single-acting - spring to close |
| Type of construction | Piston valve (special piston design for 100 % passage) |
| Operation | air-actuated at one and |
| Sealant | FKM |
| DN | 50 |
| H | 109 mm |
| L | 205 mm |
| Weight | 5,4 kg |

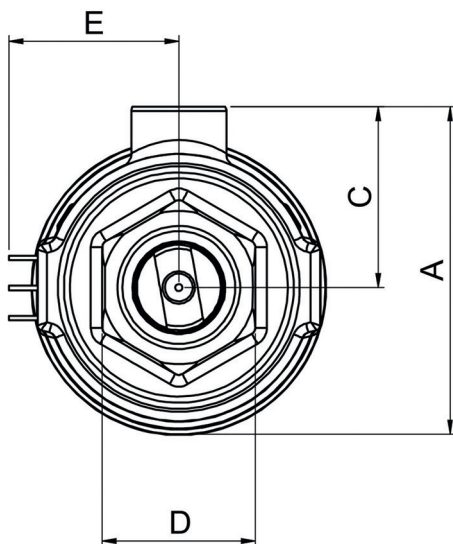
Commercial data

| | |
|-------------------------|------------------|
| Customs tariff number | 84818069 |
| Country of origin | IT |
| eCl@ss 5.1.4 | 27292002 |
| eCl@ss 9.0 | 27292002 |
| UNSPSC_Code_v190501 | 40141603 |
| UNSPSC_CodeDesc_v190501 | Pneumatic valves |

Flow chart



Dimensions



| A | C | D | E |
|-------|------|----|------|
| mm | mm | mm | mm |
| 114,3 | 59,8 | 70 | 57,1 |

Further information

- No moving external parts (reduced risk of accidents)
- Directly mountable control valve
- Choice of two sealing materials for a wide range of applications

Accessories

| | Art. No. | Type No. |
|---|----------|----------|
| NAMUR adapter plate for angle-seat valves G 1/2 - G 2 | 131434 | NAP |