

2/2-way solenoid valve

2/2-way type

Art. No. 148560

Type No. MVB.MS.230V.G14.0-5B



Exemplary illustration

The standard series in the versions

- directly operated

- pilot operated

Cable plug in acc. with ISO 4400

Medium temperature max. 80 °C

Technical data

| | |
|-----------------------|---|
| Housing | Brass |
| Valve seat | Stainless steel / Brass |
| Internal parts | Stainless steel / Brass |
| Protection IP | IP 65 |
| Type | 2 |
| Thread | G 1/4 IT |
| Operating pressure | 0 - 5 bar |
| Sealant | NBR |
| Electrical connection | ISO 4400 / EN 175301-803 industrial standard type A |
| Medium temperature | -10 to 80 °C |
| Ambient temperature | -10 to 60 °C |
| Standard thread | ISO 228-1 |
| Opening | 3.0 mm |
| A | 78.0 mm |
| B | 40.0 mm |
| C | 90.0 mm |

Commercial data

| | |
|-------------------------|-----------------|
| Customs tariff number | 84812090 |
| Country of origin | TR |
| eCl@ss 5.1.4 | 27220601 |
| eCl@ss 9.0 | 27220601 |
| UNSPSC_Code_v190501 | 40141605 |
| UNSPSC_CodeDesc_v190501 | Solenoid valves |

Material informations

| | |
|----------------------------|-------------------------|
| REACH SVHC1 substance name | lead |
| CAS no. SVHC 1 | 7439-92-1 |
| RoHS materials notice | RoHS compliant |
| REACH Info | contains SVHC substance |

General Purpose Solenoid Valves S1011 Series (G1/8", G1/4")

GENERAL FEATURES

- Wide pressure range, flow rate and orifis options.
- Solenoid valves are used with filters.
- Solenoid valves can be mounted in any position without affecting its operation.
- Coil to be used in a vertical position.

ELECTRICAL CHARACTERISTICS

| | |
|--------------------------|--|
| Continuous Duty | : ED %100 |
| Coil Insulation Class | : H (180°C)(IEC 85) |
| Coil Impregnation | : Polyester Fiber Glass |
| Ambient Temperature | : -10°C, +60°C |
| Protection Degree | : IP65 (ISO 60529) On request; IP68 |
| Electric Plug Connection | : DIN 46340 3-Poles Connector (DIN 43650) |
| Connector Specification | : ISO 4400 / EN 175301-803 Form A, Spade Plug (Cable Ø6-8 mm) |
| Electrical Safety | : IEC 335 |
| Standard Voltages | : AC 12V 15VA, 24V 15VA, 48V 15VA, 110V 15VA, 230V 15VA, 230V 24VA DC 12V 18W, 24V 18W, 48V 18W, 110V 18W |

On request other voltages

Voltages Tolerance : AC -15%, +10% DC -5%, +10%

Frequency : 50 Hz (60 Hz...)

On request; Connector with LED, PWM Socket Specify coil voltage with order

MATERIALS IN CONTACT WITH FLUID

| | |
|---------------------------|--------------------------------|
| Body | : Brass |
| Internal Parts | : Stainless Steel, Brass |
| Sealing | : NBR(On request; EPDM, VITON) |
| Shading Ring | : Copper (EN 12735-1) |
| Seats, Core Tube, Springs | : Stainless Steel, Brass |

OPTIONS

Female connection: BSP; (On request NPT)

- On request CR-Ni plated, PTFE coated done

- On request Atex (exp-proof) coil.

TECHNICAL FEATURES

Max. Viscosity : 5°E (-37cST veya mm²/s)

Response Time : Opening time : 30 ms
Closing Time : 30 ms

SEALS FEATURES

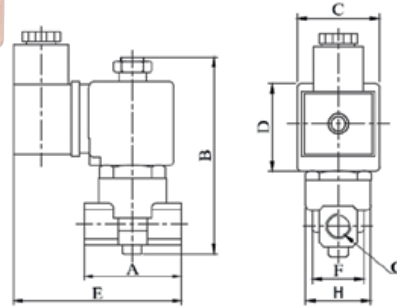
NBR : -10°C...+80°C

EPDM : -10°C...+130°C

VITON : -10°C...+160°C

PTFE : -10°C...+160°C

RUBY : -10°C...+160°C



NORMALLY OPEN

2/2 OPERATED

DIRECT ACTING

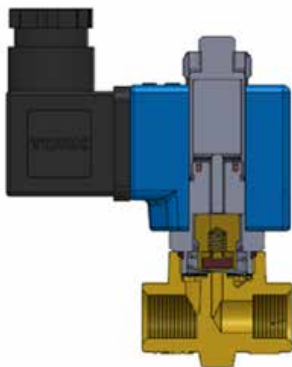
ΔP=0



Dimensions (mm)

| | G | A | B | C | D | E | F | H |
|------|----|----|----|----|----|------|------|---|
| 1/8" | 40 | 90 | 32 | 39 | 78 | 22.3 | 25.6 | |
| 1/4" | 40 | 90 | 32 | 39 | 78 | 22.3 | 25.6 | |

| Coils | Nominal Values | Cold/Hot | Inrush | Holding | Current (A) | Surface Temperature (°C) |
|---------------|----------------|----------|--------|---------|-------------|--------------------------|
| C40012VDC18W | 12VDC 18W | COLD | 19.56 | 19.56 | 1.63 | 20 |
| | | HOT | 14.52 | 14.52 | 1.21 | 106 |
| C40024VDC18W | 24VDC 18W | COLD | 20.88 | 20.88 | 0.87 | 25 |
| | | HOT | 14.64 | 14.64 | 0.61 | 116 |
| C40110VDC18W | 110VDC 18W | COLD | 19.96 | 19.96 | 0.18 | 23 |
| | | HOT | 13.56 | 13.56 | 0.123 | 115 |
| C40012VAC15VA | 12VAC 15VA | COLD | 23.81 | 16.43 | 1.3 | 25 |
| | | HOT | - | 15.86 | 1.262 | 79 |
| C40024VAC15VA | 24VAC 15VA | COLD | 25.82 | 15.02 | 0.62 | 22 |
| | | HOT | - | 13.91 | 0.57 | 81 |
| C40110VAC15VA | 110VAC 15VA | COLD | 30.65 | 15.17 | 0.137 | 24 |
| | | HOT | - | 13.96 | 0.126 | 80 |
| C40230VAC15VA | 230VAC 15VA | COLD | 31.4 | 15.64 | 0.068 | 25 |
| | | HOT | - | 14.41 | 0.063 | 80 |
| C40230VAC24VA | 230VAC 24VA | COLD | 45.1 | 23.92 | 0.0154 | 23 |
| | | HOT | - | 21.62 | 0.0154 | 100 |



| Solenoid Valve Symbol | Valve Type/Order No | Connection Size | Orifice Size | Pressure min/max | | Kv | Seal | | | Weight kg |
|-----------------------|---------------------|-----------------|--------------|------------------|-----|-------|------|--------|------|-----------|
| | | | | Bar | Bar | | NBR | Viton | EPDM | |
| | S1011 | G | mm | Bar | Bar | l/min | | Option | | |
| | S1011.00.010 | 1/8" | 1 | 0 | 14 | 0.5 | ✓ | ✓ | ✓ | 0,36 |
| | S1011.00.018 | 1/8" | 1.8 | 0 | 12 | 1.6 | ✓ | ✓ | ✓ | 0,36 |
| | S1011.00.025 | 1/8" | 2.5 | 0 | 10 | 3.2 | ✓ | ✓ | ✓ | 0,36 |
| | S1011.00.030 | 1/8" | 3 | 0 | 5 | 4.6 | ✓ | ✓ | ✓ | 0,36 |
| | S1011.01.010 | 1/4" | 1 | 0 | 14 | 0.5 | ✓ | ✓ | ✓ | 0,35 |
| | S1011.01.018 | 1/4" | 1.8 | 0 | 12 | 1.6 | ✓ | ✓ | ✓ | 0,35 |
| | S1011.01.025 | 1/4" | 2.5 | 0 | 10 | 3.2 | ✓ | ✓ | ✓ | 0,35 |
| | S1011.01.030 | 1/4" | 3 | 0 | 5 | 4.6 | ✓ | ✓ | ✓ | 0,35 |

STANDARDS

- Standard tube connection G (BSP) (ISO 228-1) and other tube connections (NPT (ANSI 120.3)) are available on request.
- TORQ solenoid valves 97/23/EC, are available for pressure equipment directive (PED) and 2006/95/ECC low voltage directive (LVD).

Not: Please look catalogues for more details

www.smstork.com

General Purpose Solenoid Valves S1011 Series (G3/8", G1/2", G3/4", G1", G1 1/4", G1 1/2", G2")

GENERAL FEATURES

- Wide pressure range, flow rate and orific options.
- Solenoid valves are used with filters.
- Solenoid valves can be mounted in any position without affecting its operation.
- Coil to be used in a vertical position.

ELECTRICAL CHARACTERISTICS

| | |
|--------------------------|--|
| Continuous Duty | : ED %100 |
| Coil Insulation Class | : H (180°C)(IEC 85) |
| Coil Impregnation | : Polyester Fiber Glass |
| Ambient Temperature | : -10°C, +60°C |
| Protection Degree | : IP65 (ISO 60529) On request; IP68 |
| Electric Plug Connection | : DIN 46340 3-Poles Connector (DIN 43650) |
| Connector Specification | : ISO 4400 / EN 175301-803 Form A, Spade Plug (Cable Ø6-8 mm) |
| Electrical Safety | : IEC 335 |
| Standard Voltages | : AC 12V 15VA, 24V 15VA, 48V 15VA, 110V 15VA, 230V 15VA, 230V 24VA DC 12V 18W, 24V 18W, 48V 18W, 110V 18W |

On request other voltages

Voltages Tolerance : AC -15%, +10% DC -5%, +10%

Frequency : 50 Hz (60 Hz...)

On request; Connector with LED, PWM Socket Specify coil voltage with order

MATERIALS IN CONTACT WITH FLUID

| | |
|---------------------------|--------------------------------|
| Body | : Brass |
| Internal Parts | : Stainless Steel, Brass |
| Sealing | : NBR(On request; EPDM, VITON) |
| Shading Ring | : Copper (EN 12735-1) |
| Seats, Core Tube, Springs | : Stainless Steel, Brass |

OPTIONS

- Female connection: BSP; (On request NPT)
- On request CR-Ni plated, PTFE coated done
- On request Atex (exproof) coil.

TECHNICAL FEATURES

Max. Viscosity : 5°E (-37cST veya mm²/s)
Response Time : Opening time : 400 ms - 1600 ms
Closing Time : 1000 ms - 2000 ms

SEALS FEATURES

| | |
|-------|------------------|
| NBR | : -10°C...+80°C |
| EPDM | : -10°C...+130°C |
| VITON | : -10°C...+160°C |
| PTFE | : -10°C...+160°C |
| RUBY | : -10°C...+160°C |



NORMALLY OPEN

2/2 OPERATED

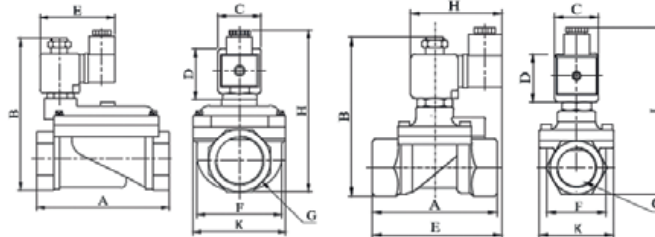
PILOT OPERATED

ΔP=0,5

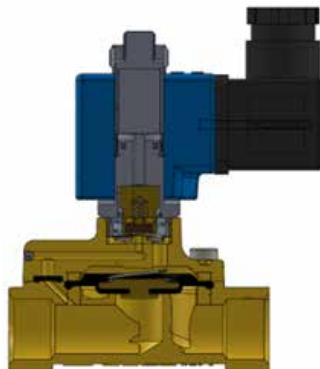


Dimensions (mm)

| | G | A | B | C | D | E | H | I | K |
|--------|-------|-------|----|----|------|----|-------|-------|---|
| 3/8" | 72 | 97.7 | 32 | 45 | 94.8 | 76 | 109 | 52.5 | |
| 1/2" | 80 | 99.2 | 32 | 45 | 96.2 | 76 | 110.5 | 52.5 | |
| 3/4" | 78 | 106 | 32 | 45 | 97.2 | 76 | 117.3 | 52.5 | |
| 1" | 85 | 112.5 | 32 | 45 | 98.7 | 76 | 123.8 | 52.5 | |
| 1 1/4" | 110 | 133 | 30 | 45 | - | 76 | 140 | 83 | |
| 1 1/2" | 128.5 | 137 | 32 | 45 | - | 76 | 148.3 | 95 | |
| 2" | 149 | 149 | 32 | 45 | - | 76 | 160.3 | 109.7 | |



| Coils | Nominal Values | Cold/ Hot | Inrush | Holding | Current (A) | Surface Temperature (°C) |
|---------------|----------------|-----------|--------|---------|-------------|--------------------------|
| C40012VDC18W | 12VDC 18W | COLD | 19.56 | 19.56 | 1.63 | 20 |
| | | HOT | 14.52 | 14.52 | 1.21 | 106 |
| C40024VDC18W | 24VDC 18W | COLD | 20.88 | 20.88 | 0.87 | 25 |
| | | HOT | 14.64 | 14.64 | 0.61 | 116 |
| C40110VDC18W | 110VDC 18W | COLD | 19.96 | 19.96 | 0.18 | 23 |
| | | HOT | 13.56 | 13.56 | 0.123 | 115 |
| C40012VAC15VA | 12VAC 15VA | COLD | 23,81 | 16.43 | 1.3 | 25 |
| | | HOT | - | 15.86 | 1.262 | 79 |
| C40024VAC15VA | 24VAC 15VA | COLD | 25,82 | 15.02 | 0.62 | 22 |
| | | HOT | - | 13.91 | 0.57 | 81 |
| C40110VAC15VA | 110VAC 15VA | COLD | 30,65 | 15.17 | 0.137 | 24 |
| | | HOT | - | 13.96 | 0.126 | 80 |
| C40230VAC15VA | 230VAC 15VA | COLD | 31,4 | 15.64 | 0.068 | 25 |
| | | HOT | - | 14.41 | 0.063 | 80 |
| C40230VAC24VA | 230VAC 24VA | COLD | 45,1 | 23.92 | 0.0154 | 23 |
| | | HOT | - | 21.62 | 0.0154 | 100 |



| Solenoid Valve Symbol | Valve Type/ Order No | Connection Size | Orifice Size | Pressure min/max | | Kv | Seal | | | Weight |
|-----------------------|----------------------|-----------------|--------------|------------------|-----|-------|-------|-----|-------|--------|
| | | | | Bar | Bar | | l/min | NBR | Viton | |
| | S1011 | G | mm | Bar | Bar | l/min | | | | kg |
| | S1011.02.125 | 3/8" | 12.5 | 0.5 | 12 | 48 | ✓ | ✓ | ✓ | 0,69 |
| | S1011.03.145 | 1/2" | 14.5 | 0.5 | 12 | 70 | ✓ | ✓ | ✓ | 0,73 |
| | S1011.04.170 | 3/4" | 17 | 0.5 | 12 | 90 | ✓ | ✓ | ✓ | 0,81 |
| | S1011.05.170 | 1" | 17 | 0.5 | 12 | 90 | ✓ | ✓ | ✓ | 0,98 |
| | S1011.06.300 | 1 1/4" | 30 | 0.5 | 12 | 250 | ✓ | ✓ | ✓ | 2,65 |
| | S1011.07.390 | 1 1/2" | 39 | 0.5 | 12 | 370 | ✓ | ✓ | ✓ | 2,55 |
| | S1011.08.460 | 2" | 46 | 0.5 | 12 | 450 | ✓ | ✓ | ✓ | 2,98 |

STANDARDS

- Standard tube connection G (BSP) (ISO 228-1) and other tube connections (NPT (ANSI 1.20.3)) are available on request.
- TORK solenoid valves 97/23/EC, are available for pressure equipment directive (PED) and 2006/95/ECC low voltage directive (LVD).

Not: Please look catalogues for more details

www.smstork.com