



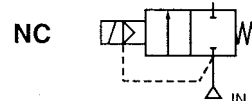
Single-stage double diaphragm valves

Normally closed
Internal pilot control

G 3/4 - 1

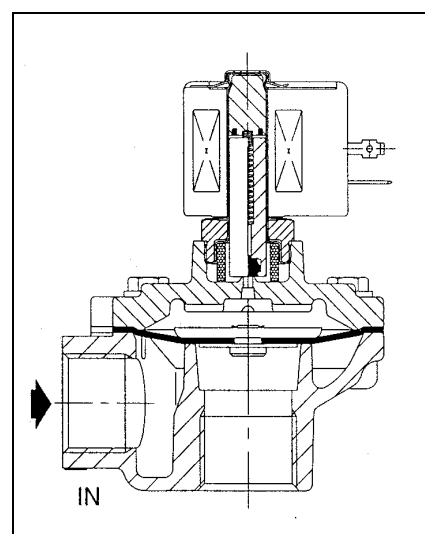
MV 4211

MV 4212



Description

- λ The double diaphragm valves are specially designed for use in **dust-removing equipment**. They are characterised by a **high rate of flow** and a **long service life**, and they **open and close extremely fast**.
- λ The angle-type body with its excellent flow characteristics, the unique design and the specially developed diaphragms facilitate the high operating performance necessary for **dust-removing equipment**.
- λ The solenoid valves are designed for operation at a minimum ΔP of **0.35 bar**.
- λ The high-quality diaphragms are non-wearing.
- λ Built-in silencers ensure quiet operation and prevent foreign substances from entering the valve.
- λ The solenoid valves are in line with international standards.



General

Pressure difference 0.35 to 8.5 bar [1 bar = 100 kPa]
Permissible static pressure 10 bar
Ambient temperature -20 to +85°C

Medium	Temperature range (1)	Diaphragms	Order No.
Air	-20 to +85°C	TPE (Hytrel)	MV 4211 MV 4212

(1) At temperatures below zero the medium may freeze and damage the valve.

Electrical data

Voltages (2) DC (=) 24 V \ Please use the suffix »G« to order DC valves
 AC (-) 24 V/50 Hz - 110 V/50 Hz - 230 V/50 Hz

(2) Other voltages and 60 Hz frequency on request

Coil type	Power			Hot/cold = (W)	Ambient temperature (1) (°C)	Degree of protection (with connector socket fitted)
	Pickup ~ (VA)	Holding ~ (W)				
		(VA)	(W)			
CM6-FT CM6-FI (3)	34.0 -	15.6 -	6.0 -	- 14 / 20.8 (3)	-20 to +85 -20 to +85	IP 65 IP 65

(3) Intermittent duty; cyclic duration factor: 70%

Characteristics

Con- nec- tion	Nom. width (mm)	Flow coefficient (Cv)		Working pressure difference (bar)			Coil type		Catalogue number Please use the suffix »G« to order DC (=)
				min.	max.				
					Air, inert gas				
G	(mm)	(m³/h)	(l/min)	~	=	~	=		
3/4	25	14	233	0.35	8.5	8.5	CM6-FT	CM6-FI	MV 4211
1	25	17	283	0.35	8.5	8.5	CM6-FT	CM6-FI	MV 4212

Design features

Body Armature guide pipe Armature of magnet and counter-armature Spring Seals and valve disc Diaphragms End ring Insulation class (coil) Electrical connection Electrical design	MV 4211 - MV 4212 Aluminium Stainless steel Stainless steel Stainless steel NBR (Perbunan) TPE Copper F ISO 4400; connector socket (PG 11P) IEC 335
---	--

Main spare parts

Order No.	Spare parts set	Diaphragms
MV 4211 MV 4211 G MV 4212 MV 4212 G	113444	113437-001

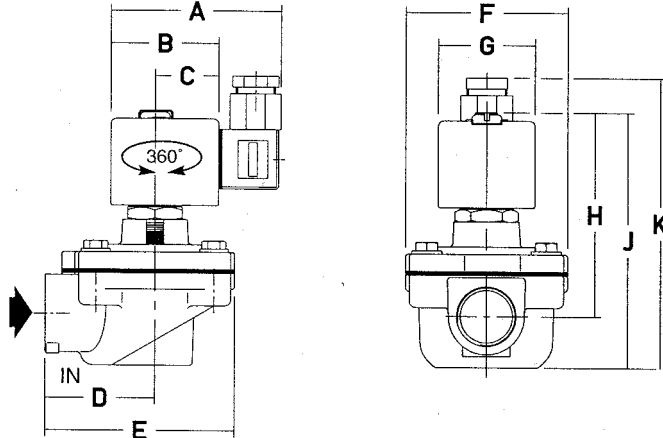
Coils

Order No.	Coils				Insulation class		Max. perm. operating temperature °C	Max. perm. temperature rise °C*	Max. perm. ambient temperature °C**
	~ (2)	V	= (3)	V	~	=			
MV 4211 MV 4212	400325-101 400325-107 400325-117	24 110 230	400325-642 Intermittent duty; cyclic duty factor: 70%	24	FT	I	155	70	85

(2) Other voltages and 60 Hz frequency on request
 (3) Please use the suffix »G« to order DC valves

* Coil temperature after energising
 **Additional effect of the medium temperature within the value range stated in the catalogue

Dimensions [mm], weights [g]



Order No.	4211	4212
»MV«	4211 G	4212 G
A	75	75
B	45	45
C	27	27
D	51	51
E	89	89
F	75	75
G	39	39
H	92	92
J	113	113
K	130	130
Weight (4)	700	650

(4) Including coil and connector socket

Special designs (on request)

- Seals and valve disc made of FPM (Viton)
- Flameproof body in accordance with CENELEC and national standards
- Electronic pulse transmitter
- Connector socket with LED and/or suppressor circuit
- Valves with integrated quick-lock fitting

Installation

- Any mounting position, preferably with the magnetic head pointing upwards
- Threaded connections G (ISO 228/1)
- Other threaded connections on request
- Assembly and servicing instructions enclosed with each valve
- Spare parts and replacement coils (see above)
- The tightness of the types with a quick-lock fitting is ensured by the contact pressure of the seat on the pipe