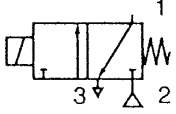




Normally closed
Directly operated

Rp 1/4

MV 3212 - 102964
MV 3212 G - 102966

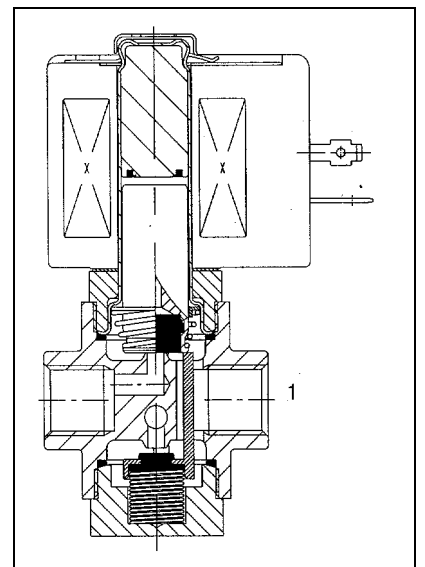
NC 

Description

- Directly operated 3/2-way solenoid valve.
- The valves do not require a minimum operating pressure.
- The valves can be mounted in any position with no functional restrictions.
- The high-quality materials used for the valves and extensive testing guarantee a long service life.
- The solenoid valves are in line with international standards.

General

Pressure difference 0 to 6 bar [1 bar = 100 kPa]
Permissible static pressure 20 bar
Maximum viscosity 65 cSt (mm²/s)
Response time 5 to 25 ms



Medium	Temperature range (1)	Seals	Order No.
Air, gas, water, light oil	-20 to +90 °C -10 to +130 °C	NBR FPM	MV 3212 On request

(1) At temperatures below zero the medium may freeze and damage the valve.

Electrical data

Voltages (2) DC (=) 24 V - 12 V → Please use the suffix »G« to order DC valves
 AC (~) 24 V/50 Hz - 110 V/50 Hz - 230 V/50 Hz

(2) Other voltages and 60 Hz frequency on request

Coil type	Pickup	Power Holding		=	Ambient temperature (1)	Degree of protection (with connector socket fitted)
	~	~				
	(VA)	(VA)		(W)	(°C)	
CMXX-FT	55.0	23.0		11.2	-20 to +75	IP65

Characteristics

Con- nec- tion	Nom- inal dia- meter	Flow coefficient Kv		Operating pressure difference (bar)						Coil type		Catalogue no.		
				Min.	Max.				~					=
					Air/gas	Water	Oil<65cSt	~		=	~	=		
Rp	(mm)	(m ³ /h)	(l/min)		~	=	~	=	~	=	~	=		
1/4	3.2	0.21	3.5	0	6	4	6	4	6	4	CMXX-FT	CMXX-FT	MV 3212	MV 3212 G

Design features

	MV 3212
Body	Brass
Guide tube	Stainless steel
Magnet armature and armature plug	Stainless steel
Springs	Stainless steel
Valve seat	Brass
Seals	NBR
Valve disc	NBR
Shading ring	Copper
Insulation class (coil)	F
Electrical connection	ISO 4400; connector socket (PG 11P)
Electrical design	IEC 335

Main spare parts

Order No.	Repair kit	Diaphragms
MV 3212	302143	None
MV 3212 G	302228	

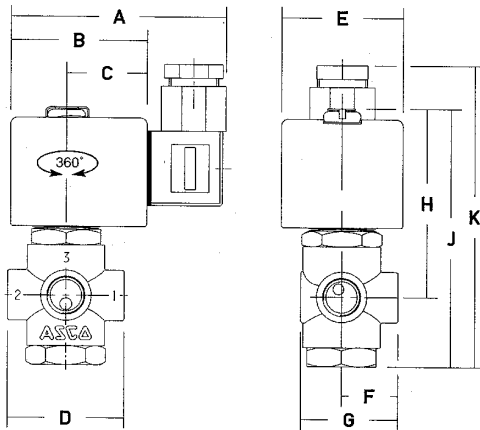
Coils

Order No.	Coils				Insulation class	Max. perm. operating temperature °C	Max. perm. temperature rise °C*	Max. perm. Ambient temperature °C**
	~ (2)	V	= (3)	V				
MV 3212	400-425-101	24	400-425-141	12	FT	155	80	75
	400-425-107	110	400-425-142	24				
	400-425-117	230						

(2) Other voltages and 60 Hz frequency on request
 (3) Please use the suffix »G« to order DC valves

* Coil temperature after energising
 **Additional effect of the medium temperature within the value range stated in the catalogue

Dimensions [mm], weights [g]



Order No.	MV 3212	MV 3212 G
A		80
B		50
C		30
D		43
E		45
F		21
G		36
H		70
J		95
K		108
Weight (4)		550

(4) Including coil and connector socket

Special versions (on request)

- Seals and valve disc made of FPM, EPDM (ethylene-propylene), PTFE and CR (neoprene)
- Explosion proof body in accordance with CENELEC and national standards
- Mounting bracket for valves with a brass body
- Manual operator
- Connector socket with LED and protective circuit

Installation

- Any mounting position
- Valve bodies have two mounting holes
- Screw connections: Rp (ISO 7-1)
- Other screw connections on request
- Installation and maintenance instructions enclosed with each valve
- Spare parts and replacement coils (see above)