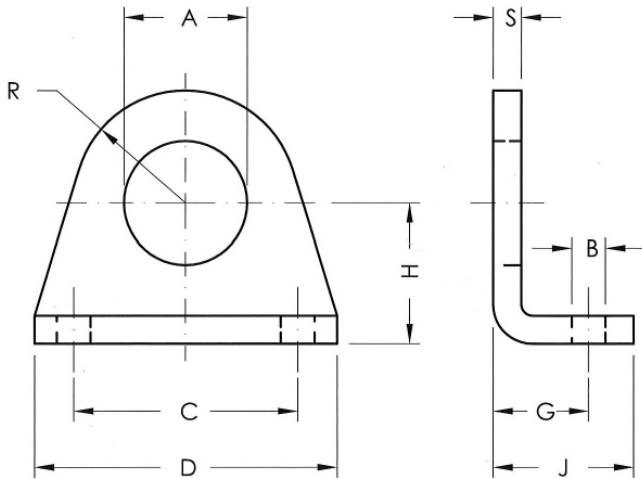


## Fixing parts and accessories

### Foot model

Art. No. 156763 to 156765 (Type No. 453.106 to 453.108)



#### Dimensions

Art. No.	Type No.	Piston-Ø	A	B	C	D	G	weight (g)
156763	453.106	8-10	12	4.5	25	35	11	20
156764	453.107	12-16	16	5.5	32	42	14	40
156765	453.108	20-25	22	6.6	40	54	17	90

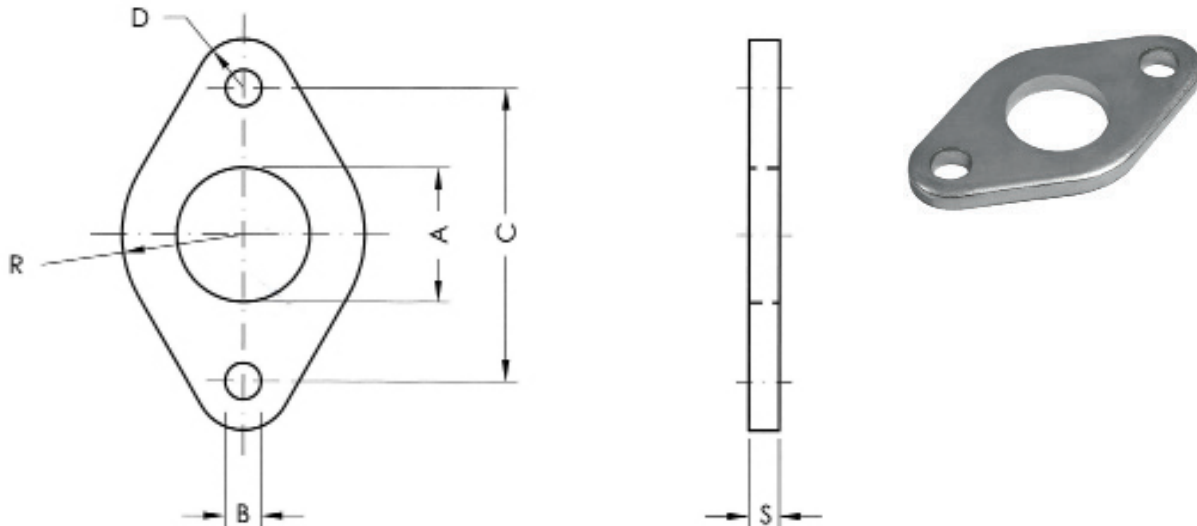
Art. No.	Type No.	Piston-Ø	H	J	R	S	Material
156763	153.106	8-10	16	16	10.0	3	Galvanised steel
156764	453.107	12-16	20	20	12.5	4	Galvanised steel
156765	453.108	20-25	25	25	20.0	5	Galvanised steel

(Values in mm)

## Fixing parts and accessories

### Flange model

Art. No. 156766 to 156768 (Type No. 453.109 to 453.111)



#### Dimensions

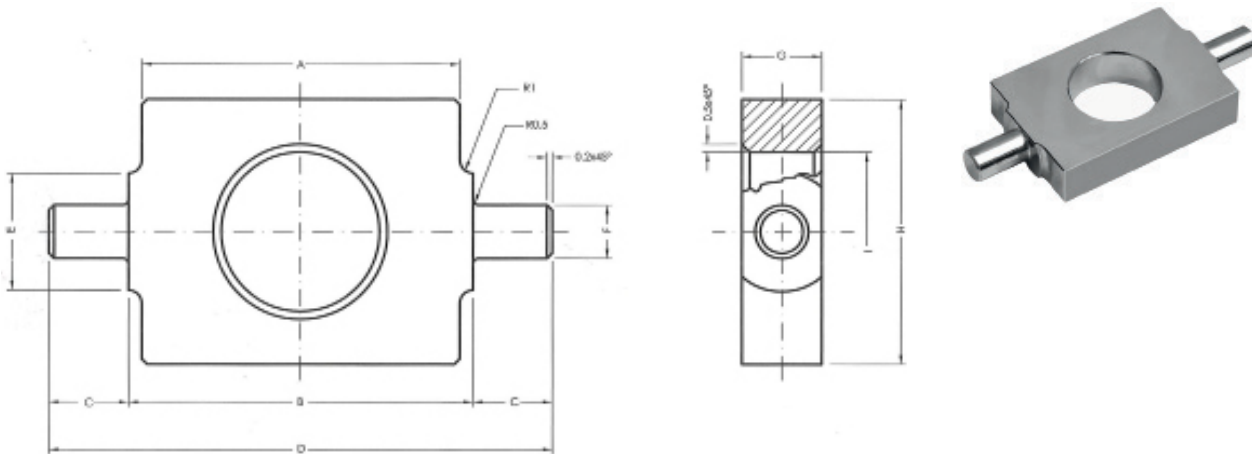
Art. No.	Type No.	Piston-Ø	A	B	C	R	D	S	Material	weight (g)
156766	453.109	8-10	12	4.5	30	11	5	3	Galvanised steel	12
156767	453.110	12-16	16	5.5	40	15	6	4	Galvanised steel	26
156768	453.111	20-25	22	6.6	50	20	8	5	Galvanised steel	50

(Values in mm)

## Fixing parts and accessories

### Swivel mounting

Art. No. 156769 to 156771 (Type No. 453.112 to 453.114)



#### Dimensions

Art. No.	Type No.	Piston-Ø	A	B	C	D	E	weight (g)
156769	453.112	8-10	24	26	6	38	9	18
156770	453.113	12-16	36	38	10	58	13	35
156771	453.114	20-25	44	46	10	66	13	45

Art. No.	Type No.	Piston-Ø	F	G	H	I	Material
156769	453.112	8-10	4	6	20	12	Galvanised steel
156770	453.113	12-16	6	8	25	16	Galvanised steel
156771	453.114	20-25	6	8	30	22	Galvanised steel

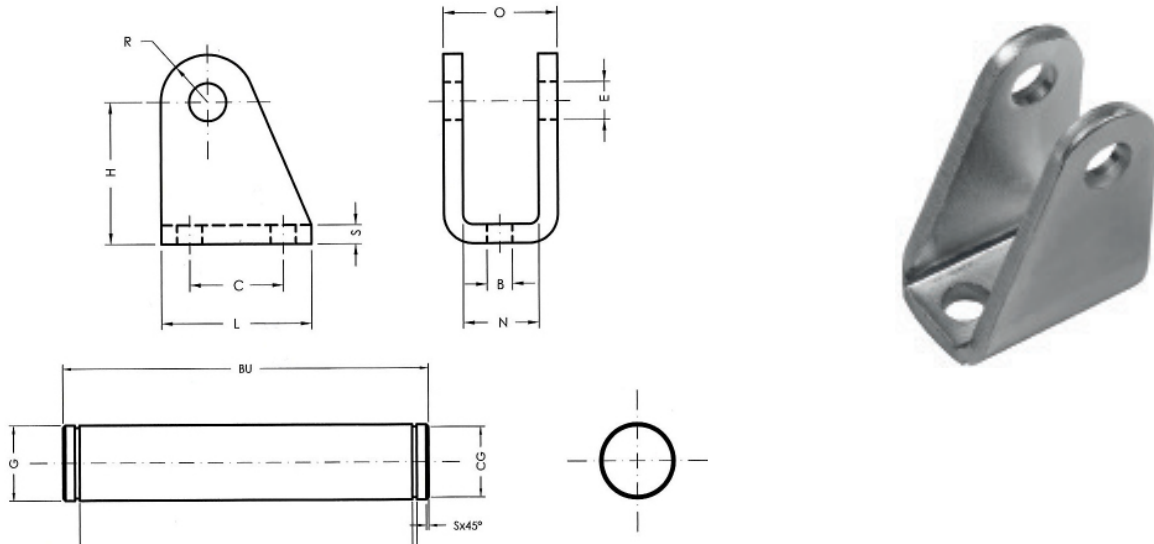
(Values in mm)

## Fixing parts and accessories

### Counter hinge model

with bolt and retainering

Art. No. 156772 to 156774 (Type No. 453.115 to 453.117)



#### Dimensions

Art. No.	Type No.	Piston-Ø	Bolt-Ø	B	E	C	H	weight (g)
156772	453.115	8-10	4.0	4.5	4	12.5	24	17
156773	453.116	12-16	6.0	5.5	6	15.0	27	31
156774	453.117	20-25	8.0	6.6	8	20.0	30	67

Art. No.	Type No.	Piston-Ø	L	N	O	R	S	Material
156772	453.115	8-10	20	8.1	13	5	2.5	Galvanised steel
156773	453.116	12-16	25	12.1	18	7	3.0	Galvanised steel
156774	453.117	20-25	32	16.1	24	10	4.0	Galvanised steel

Art. No.	Type No.	Piston-Ø	G	BT	CG	CH	BU	S	weight (g)
156772	453.115	8-10	4	14.0	3.7	0.5	17.0	0.2	3
156773	453.116	12-16	6	19.0	5.6	0.8	23.0	0.4	5
156774	453.117	20-25	8	25.2	7.5	0.9	29.5	0.5	11

(Values in mm)