



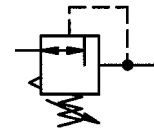
Pressure reducing valve

Non-self-relieving

400.01 to 400.08

G 1/4 to G 2

1.5 to 20.0 bar



Characteristics

Pressure gauge port	G 1/4
Type of construction	Piston pressure regulator with non-self-relieving design Special versions on request
Control range p_2	1.5 to 20.0 bar Max. reduction ratio: 6 : 1
Mounting position	Any, from DN 32 preferably with adjusting screw on top Note direction of arrow
Max. input pressure p_1	40 bar (60 bar on request)
Mounting type	In-line
Temperature range	-15 to 100 °C

Ordering data

Order No.	Port G	DN	Set of seals
400.01	1/4	8	22.401.4
400.02	3/8	10	22.402.4
400.03	1/2	15	22.403.4
400.04	3/4	20	22.404.4
400.05	1	25	22.405.4
400.06	1 1/4	32	22.406.4
400.07	1 1/2	40	22.407.4
400.08	2	50	22.408.4

Materials

Part	Material
Head piece (body)	Bronze, G-CuSn5ZnPb (Rg5) / 2.1096.01
Spring bonnet	Pressed brass up to DN 25 Grey cast iron from DN 32
Control piston	Brass
Valve seat	Bronze
Pressure spring →	Steel
Counter-pressure spring →	Steel
Seals →	NBR

Description

- Non-pressure-reduced single-seated valve
- Secondary pressure steplessly adjustable
- Both ends screwed acc. to DIN ISO 228
- Brass control piston (without diaphragm)
- Pressure gauge Ø63 included

Applications

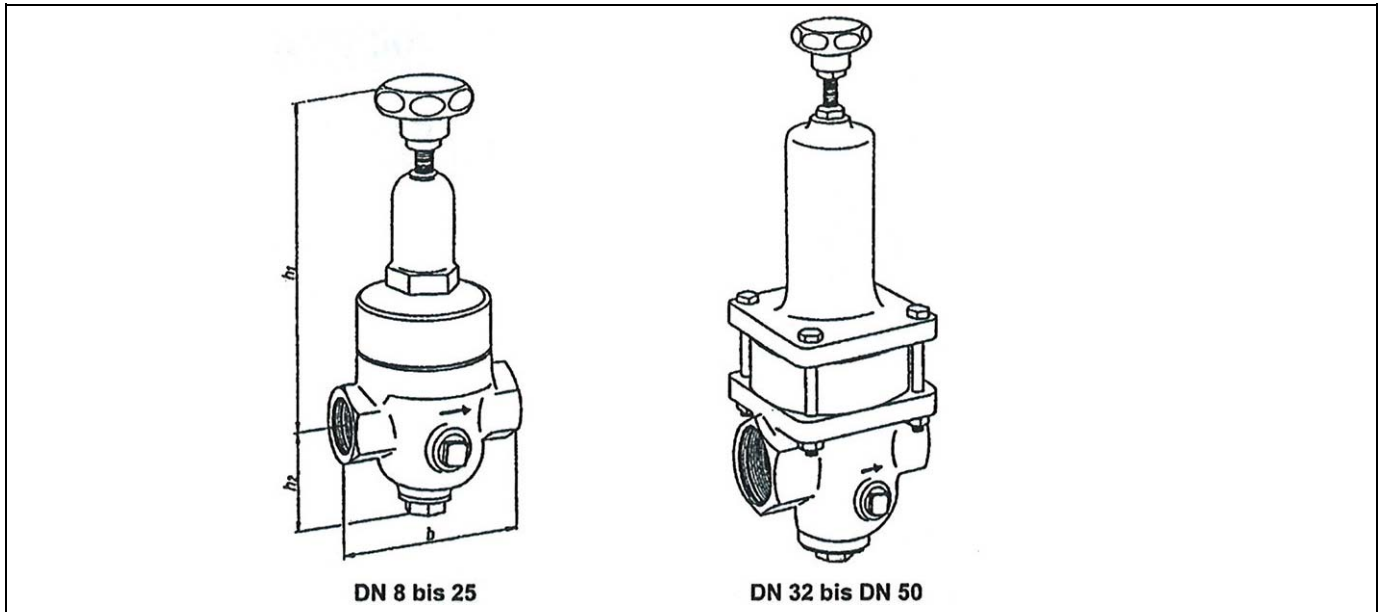
- Pressure reduction for compressed air, gaseous nitrogen, other neutral, non-flammable gases, water and other neutral, non-sticky liquids.
Not suitable for steam!

Only suitable for liquids with comparatively low flow rates.

Pressure reducing valves for higher flow rates on request.

Accessories

Designation	Order No.
Pressure gauge Ø63	219

Dimensions


Type	225							
Art. No.	400.01	400.02	400.03	400.04	400.05	400.06	400.07	400.08
DN	8	10	15	20	25	32	40	50
Port G	1/4	3/8	1/2	3/4	1	1¼	1½	2
Dimensions [mm]								
h ₁	141.0	141.0	182.0	182.0	201.0	324.0	331.0	349.0
h ₂	47.0	47.0	46.5	46.5	56.0	61.0	61.0	70.0
w	70.0	70.0	85.0	85.0	95.0	104.0	108.0	146.5
Weight (incl. pressure gauge) [g]	1260	1260	1760	1790	2670	5970	6220	9940
kv value [m ³ /h]	0.38	0.46	0.92	1.0	1.23	3.23	3.46	5.53
kvs value [m ³ /h]	0.5	0.6	1.2	1.3	1.6	4.2	4.5	7.2

Flow rates

 Nominal flow of compressed air in [Nm³] ($\Delta p = 1$ bar)

Min. pressure drop 1.5 bar

Output pressure p ₂ = [bar]	2	5	10	15	20
Art. No.: 400.01	11	21	39	56	72
400.02	17	33	61	88	110
400.03	36	72	135	200	250
400.04	66	132	240	350	460
400.05	105	210	390	560	740
400.06	155	310	575	840	1100
400.07	275	550	1000	1500	2000
400.08	420	840	1550	2300	3000