



Pressure regulating valve

Size 1
637.10 A to 637.10 D
637.503 A to 637.503 D
G 1/4
637.20 A to 637.20 D
637.513 A to 637.513 D
G 3/8


Characteristics

Order No.	637.20 A	637.20 B	637.20 C	637.20 D
	637.513 A	637.513 B	637.513 C	637.513 D
Port	G 3/8			
Order No.	637.10 A	637.10 B	637.10 C	637.10 D
	637.503 A	637.503 B	637.503 C	637.503 D
Port	G 1/4			
Pressure gauge port	G 1/4			
Type of construction	Diaphragm pressure regulator with self-relieving design			
	Special versions on request e.g. - Reverse flow port closed			
Max. input pressure p_1	16 bar			
Control range p_2	0.5 to 3 bar (0.1 to 3 bar) / 0.5 to 6 bar (0.2 to 6 bar) / 0.5 to 10 bar / 0.5 to 16 bar			
Mounting position	Any / note direction of arrow			
Mounting type	Panel mounting, hole $\varnothing 20.5$ Bracket			
Medium temperature	-10 to 60 °C			
Ambient temperature	-10 to 60 °C			
Weight [g]	500 / 550 with pressure gauge			

Description

- Standard design
- Double nipples (G 3/8 or G1/4) required for block mounting with other devices
- Pressure setting by means of adjusting screw with plastic knob, setting can be locked with lock nut
- Flow direction indicated by arrows
- **Entry in direction of arrow**
- Virtually independent of inlet pressure
- Pressure gauge $\varnothing 50$ included, can be mounted at both ends
- Panel mounting with nut and washer on cover
- Wall mounting with mounting bracket on cover

Materials

Part	Material
Head piece (body)	Zinc - Z 410
Spring bonnet/adjusting screw	Zinc - Z 410/brass
Diaphragm	→ NBR-brass
Pressure spring	→ Galvanised steel
Valve cone	→ NBR-brass
Counter-pressure spring	→ Stainless steel
O-ring 24 x 2	→ NBR

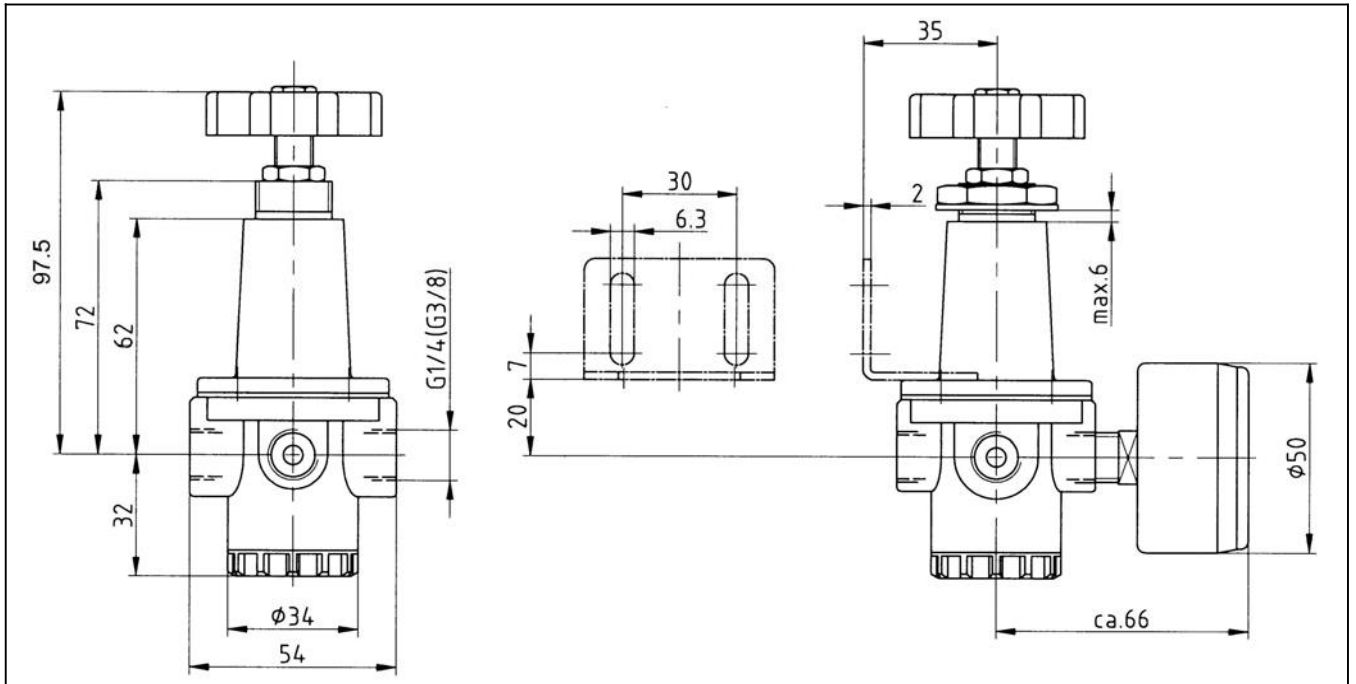
Accessories

Designation	Order No.
Nut M 20 x 1.5 and washer	74/1
Mounting bracket with nut and washer	75/1
Double nipple G 1/4	252.61
Double nipple G 3/8	MSN2523838
Double nipple G 1/4 (conical)	252.301-N
Double nipple G 3/8 (conical)	252.302-N

Main spare parts

Part	Part No.
→ Set of wearing parts - Diaphragm, compl. - Valve cone, compl. - O-ring 24 x 2	22.620.4
Pr. gauge $\varnothing 50$, G1/4 0 to 4 bar	204-KD
0 to 10 bar	206-KD
0 to 16 bar	207-KD
0 to 25 bar	110.88-KDB

Dimensions [mm]



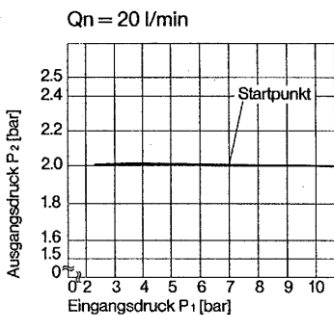
Flow rates

Flow rates at $p_1 = 8$ bar

Output pressure p_2		637.10 A	637.10 B	637.10 C	637.10 D
		637.20 A	637.20 B	637.20 C	637.20 D
		637.503 A	637.503 B	637.503 C	637.503 D
		637.513 A	637.513 B	637.513 C	637.513 D
Output pressure $p_2 = 6$ [bar]	QN m^3/h	60	60	60	60
Nominal flow ($\Delta p = 1$ bar)	QN l/min	1000	1000	1000	1000

Hysteresis

Hysteresis of p_2 as a function of rising (falling) p_1 at a constant draw-off rate QN 20 l/min
 Basic setting (starting point): $p_1: 7,0$ bar
 $p_2: 2,0$ bar



Flow characteristic

Control range 0.5 to 10 bar

