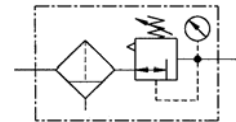




Precision filter regulator

778.82 to 778.85

G 1/4

 0.1 to 2.0 bar
0.1 to 3.0 bar
0.2 to 5.0 bar


Characteristics

Order No.	778.82	778.83	778.85
Port	G 1/4		
Pressure gauge port	G 1/4		
Type of construction	Diaphragm pressure regulator with self-relieving design Centrifugal filter Sintered filter element		
Max. input pressure p ₁	16 bar		
Control range p ₂	0.1 to 2.0 bar / 0.1 to 3.0 bar / 0.2 to 5.0 bar		
Own air consumption	0.2 l/min, depending on secondary pressure		
Mounting position	Vertical, drain plug at bottom Entry in direction of arrow		
Filter element	Polyethylene, sintered		
Filter rating	10 µm		
Drain	Manual		
Mounting type	Bracket		
Medium temperature	-10 to 60 °C		
Ambient temperature	-10 to 60 °C		
Weight [g]	975		

Description

- Regulator containing **no non-ferrous metals**
- Double nipples (G 1/4) required for block mounting with other devices
- Pressure setting can be locked with lock nut
- Flow direction indicated by arrows
- **Entry in direction of arrow**
- Pressure gauge **not** included, can be mounted at both ends
- Panel mounting with nut on cover
- Wall mounting with mounting bracket on body

Applications

Precision regulator for use in open and closed-loop control systems in process engineering, the chemical industry, mineral oil production and refining, metallurgy, the paper industry, etc.

Materials

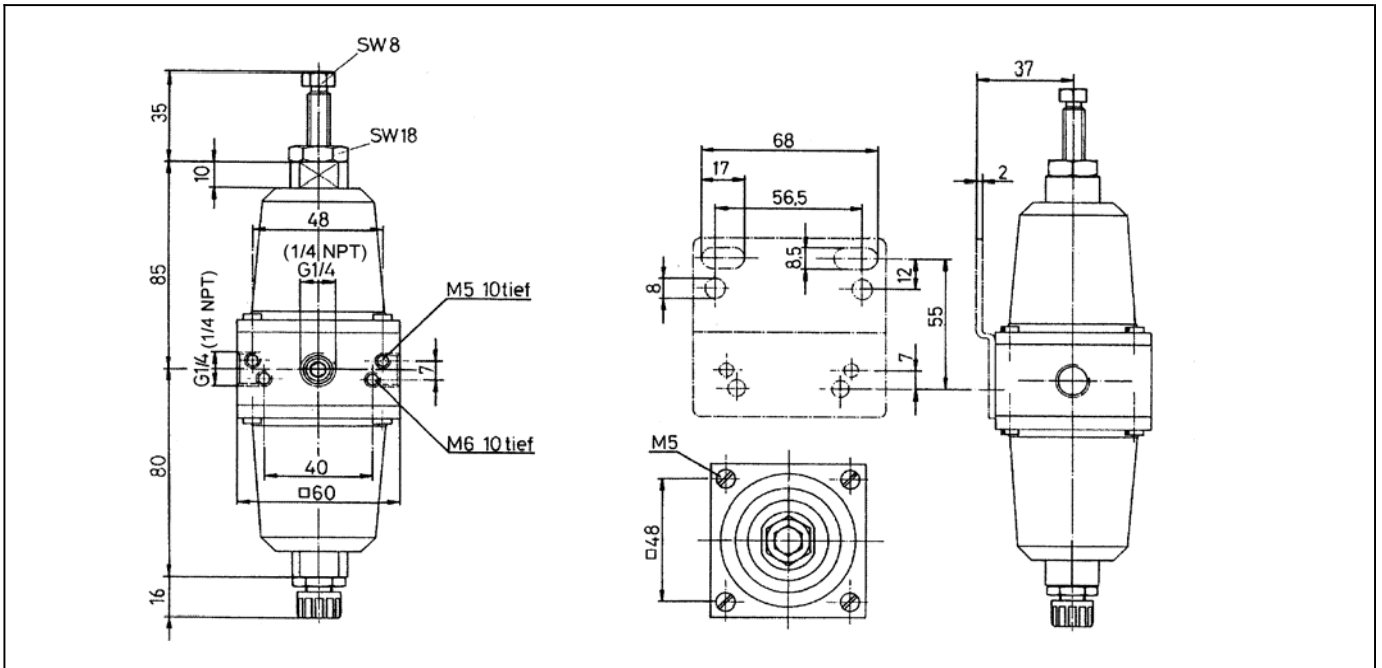
Part	Material
Head piece (body)	Zinc - Z 410
Adjusting screw	Stainless steel
Diaphragm →	NBR-stainless steel
Pressure spring	Galvanised steel
Valve cone, cmpl. →	NBR-stainless steel
Counter-pressure spring	Stainless steel
O-ring 52.07 x 2.62 →	NBR
Valve seat	Al
Filter element	Polyethylene
Filter holder	Al
Bowl	Zinc - Z 410

Accessories

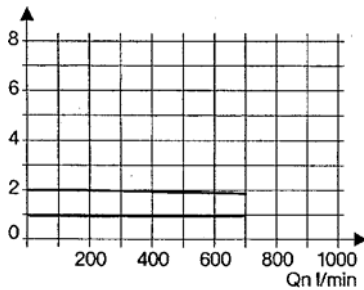
Designation	Order No.
Mounting bracket with screws	H 820

Main spare parts

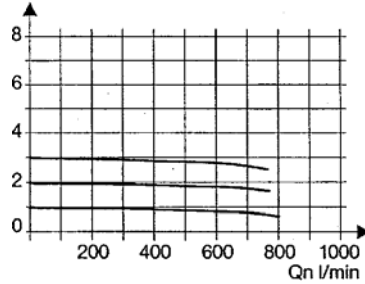
Part	Part No.
→ Set of wearing parts	22.662.4
- Diaphragm	
- Valve cone	
- Valve seat	
- O-ring 52.07 x 2.62	

Dimensions [mm]

Flow characteristic

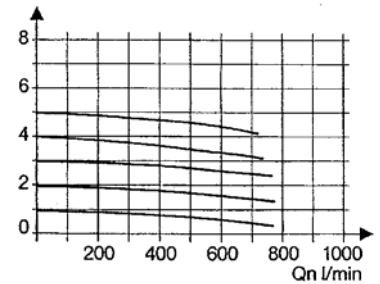
 0,1-2 bar
 p_2 [bar]

 $p_1 = 8$ bar

Flow characteristic

 0,1-3 bar
 p_2 [bar]

 $p_1 = 8$ bar

Flow characteristic

 0,2-5 bar
 p_2 [bar]

 $p_1 = 8$ bar

Hysteresis

Hysteresis of p_2 as a function of rising (falling)
 p_1 at a constant draw-off rate Q_N 20 l/min
 Basic setting (starting point): p_1 : 7.0 bar
 p_2 : 2.0 bar

