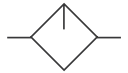


»GA« Series

GAL 11–GAL 55

Symbol



Product features

Proportional lubricators, oil can be filled under pressure.

Specifications / Technical data

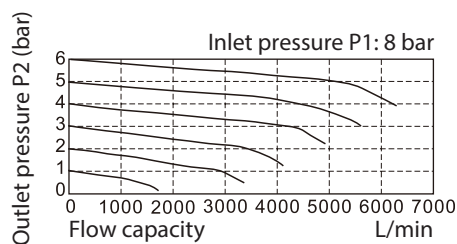
Art. No.	Size 300			Size 400		Size 600	
	178484	178485	178486	178487	178488	178489	178490
Type No.	GAL 11	GAL 12	GAL 13	GAL 32	GAL 33	GAL 34	GAL 55
Fluid	Air						
Port size	1/4"	3/8"	1/2"	3/8"	1/2"	3/4"	1"
Pressure range	0.5 to 9 bar (0.05 to 0.9 MPa, 7 to 130 psi)						
Inlet pressure max.	10 bar (1.0 MPa, 145 psi)						
Temperature range	-5 to 70 °C						
Capacity of oil bowl	98 cm ³			185 cm ³		410 cm ³	
Weight	370 g			660 g		1040 g	
Drop rate at qv = 1000 l/min	1 to 2 drops/min (recommended value)						
Oil grade	Mineral oil, viscosity 32 cSt, acc. to DIN 51524 - ISO VG 32						

Ordering information

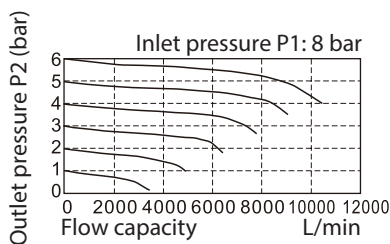
Type	description
GAL 11–GAL 13, GAL 32, GAL 33	Oil-mist lubricators with polycarbonate bowl, bowl guard and »HW« mounting bracket
GAL 34, GAL 55	Oil-mist lubricators with metal bowl, sight glass and »HW« mounting bracket

Flow chart

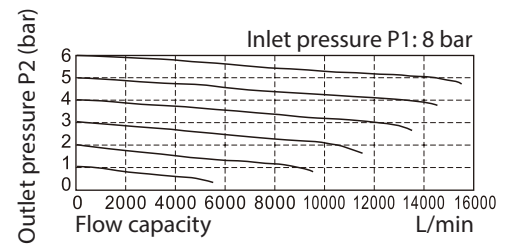
GL 12*, GL 13



GL 32, GL 33



GL 34, GL 55



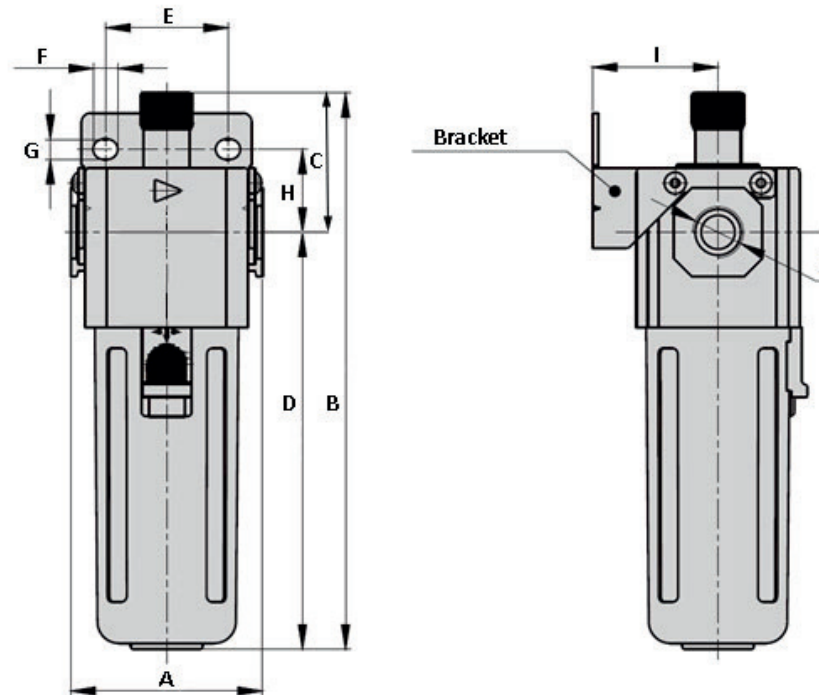
*Flow rates GAL 11 approx. 17% less

»GA« Series

GAL 11–GAL 55

Body dimensions

GAL 11 - GAL 13, GAL 32 - GAL 34, GAL 55



Art. No.	Type No.	A	B	C	D	E	F	G	H	I	J
178484	GAL 11	62.5	181.0	45.0	136.0	40.0	8.0	6.5	27.0	41.0	1/4"
178485	GAL 12	62.5	181.0	45.0	136.0	40.0	8.0	6.5	27.0	41.0	3/8"
178486	GAL 13	62.5	181.0	45.0	136.0	40.0	8.0	6.5	27.0	41.0	1/2"
178487	GAL 32	80.0	204.5	49.5	155.0	55.0	11.0	8.5	33.5	50.0	3/8"
178488	GAL 33	80.0	204.5	49.5	155.0	55.0	11.0	8.5	33.5	50.0	1/2"
178489	GAL 34	100.0	246.0	63.5	182.5	66.0	13.0	11.0	50.0	70.0	3/4"
178490	GAL 55	100.0	246.0	63.5	182.5	66.0	13.0	11.0	50.0	70.0	1"

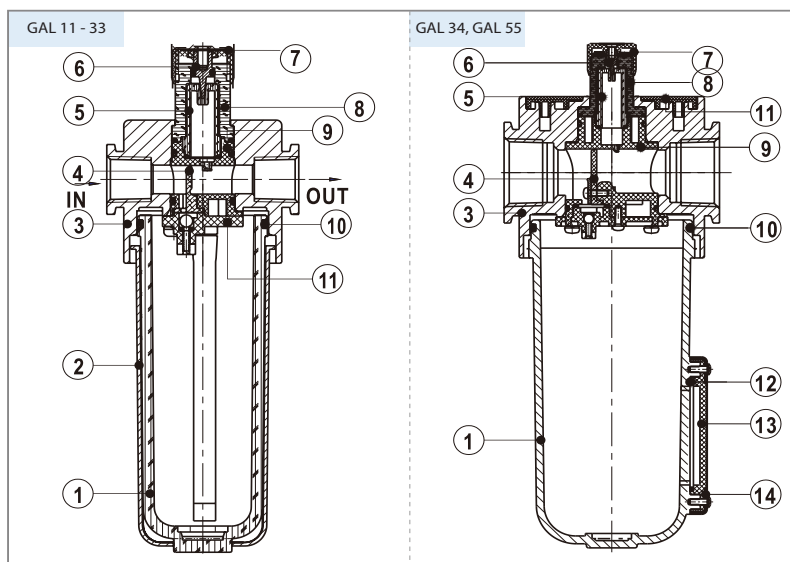
(Value in mm, exception J = inch)

»GA« Series

GAL 11–GAL 55

Components and materials





No.	Item	Material
1	Oil Bowl	Aluminum alloy / PC
2	Meter cover	SPCC
3	Body of lubricator	Aluminum alloy
4	Distance block	PU
5	Drip pipe	PC
6	Ejector pin	Brass
7	Adjusting ring	POM
8	Adjusting looker	PC
9	Sprayer body	PA66
10	O-ring	NBR
11	Sprayer bottom cap	POM
12	Liquid meter seal	NBR
13	Liquid meter inside cover	PC
14	Liquid meter cover	SPCC



»GA« Series

GAL 11–GAL 55

Accessories

	For GAL 11 to GAL 13		For GAL 32 and GAL 33		For GAL 34 and GAL 55		Description
	Art. No.	Type No.	Art. No.	Type No.	Art. No.	Type No.	
	179148	HW 301-A	116485	HW 401	116487	HW 601	Mounting bracket, incl. 4 screws
	116613	UB 300	116614	UB 400	116615	UB 600	Joiner without wall mounting
	116516	LB 300	116517	LB 400	116518	LB 600	Joiner with wall mounting, 1 drilled hole
	116609	TB 300	116610	TB 400	116611	TB 600	Joiner with wall mounting, 2 drilled holes