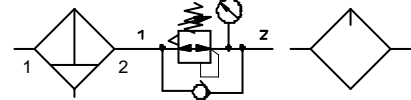




Service units, 2-piece

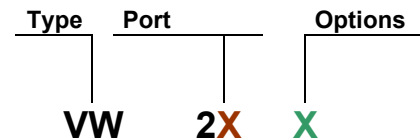
Size 2

VW 24 | VW 25 | VW 26
G 1/2
G 3/4
G 1 (connection plates)
0.5...10bar 40 µm


Characteristics

Type	VW 24	VW 25	VW 26
Port	G 1/2	G 3/4	G 1
Type of construction	Filter , centrifugal - Sintered filter element (polyethylene) Diaphragm pressure regulator - Independent of inlet pressure - Reversible Oil-mist lubricator , proportional		
Input pressure p_1	Max. 16 bar with plastic bowl Max. 20 bar with metal bowl		
Input pressure p_1 with automatic drain	Max. 16 bar Min. 1.5 bar		
Mounting position	Vertical, drain plug at bottom		
Mounting type	Bracket		
Medium temperature Ambient temperature	Max. 50 °C		
Medium temperature (metal) Ambient temperature (metal)	Max. 80 °C		
Filter rating	40 µm		
Usable bowl capacity - Filter - Oil-mist lubricator	Max. 85 cm ³ Max. 125 cm ³		
Condensate drain	Manual, fully automatic		
Oil grade	DIN 51524 – ISO VG 32		
Lubricator function (start of delivery)	From 150 l/min		
Weight [g]	2070		

Order information



Port	
X = 24	G 1/2
X = 25	G 3/4
X = 26	G 1 (connection plates)
Options	
X = S	Bowl guard
X = M	Metal bowl
Order example: VW 24 M	
Please use the suffix »A« to order automatic drain	

Description

- Block design
- **Flow direction** indicated by **arrow** on front plate
- **Portsize G 1** by using connection plates

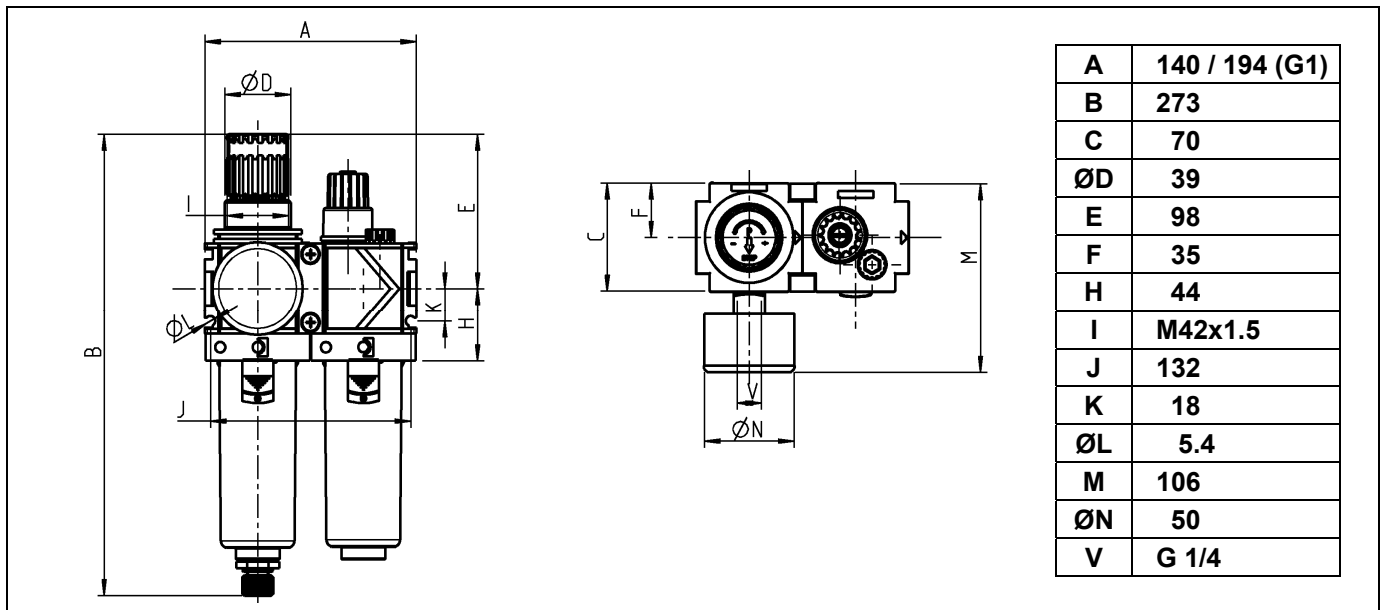
Accessories

Mounting bracket (filter reg. - head)	630/2-B
Compact joiner set G 1/2	VZ 103
T-holder for VZ 103 / VZ 104	VZ 302
Compact joiner set G 3/4 / G 1	VZ 104
Coupling kit, T-bracket G 3/4	VZ 204
Mounting bracket (block - back)	VZ 719
Polycarbonate bowl filters	VZ 502
Polycarbonate bowl oil-mist lubricators	VZ 602
Metal bowl filters	VZ 552
Metal bowl oil-mist lubricators	VZ 652
Automatic drain valve	655.6.900
Plastic bowl oil-mist lubricators	VZ 602
Metal bowl oil-mist lubricators	VZ 652
Connection plates G 1	VZ 500

Materials

Part	Material
Head piece (body)	Z 410
Spring bonnet / adjusting knob	PA / POM
O-rings	NBR
Diaphragms	NBR / brass
Filter element 40 µm	PE (sintered)
Condensate bowl	Polycarbonate
Air deflector	PA
Baffle	PA
Sight dome (metering unit)	PA
Front plates	ABS

Dimensions [mm]



VW 24

VW 25

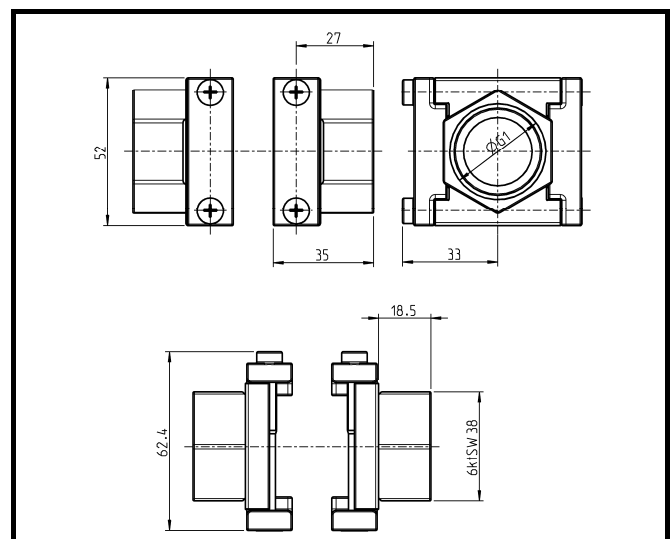
VW 26

VZ 500

Main spare parts

Part	Part No.
Set of wearing parts	VZ 782
Filter element 40 µm	VZ 742
Sight dome	VZ 721
Sight dome, metal	VZ 731

Connection plates G 1



Flow rates

		VW 24	VW 25/26
Nominal flow p ₂ 6 bar / Δ1 bar	QN [l/min]	3400	5400

(Block) mounting

Variobloc

Size 1 G 1/4

Mounting bracket and fixing nut	
Mounting bracket and two screws	
Compact joiner set	
Compact joiner set, incl. tee holder	
Comfort joiner set	

Size 1 G 3/8

Mounting bracket and fixing nut	
Mounting bracket and two screws	
Compact joiner set	
Compact joiner set, incl. tee holder	
Comfort joiner set	

Size 2 G 1/2

Mounting bracket and fixing nut	630/2-B
Mounting bracket and two screws	VZ 719
Compact joiner set	VZ 103
Compact joiner set, incl. tee holder	VZ 203
Comfort joiner set	--

Size 2 G 3/4

Mounting bracket and fixing nut	630/2-B
Mounting bracket and two screws	VZ 719
Compact joiner set	VZ 104
Compact joiner set, incl. tee holder	VZ 204
Comfort joiner set	--

